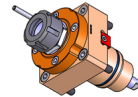
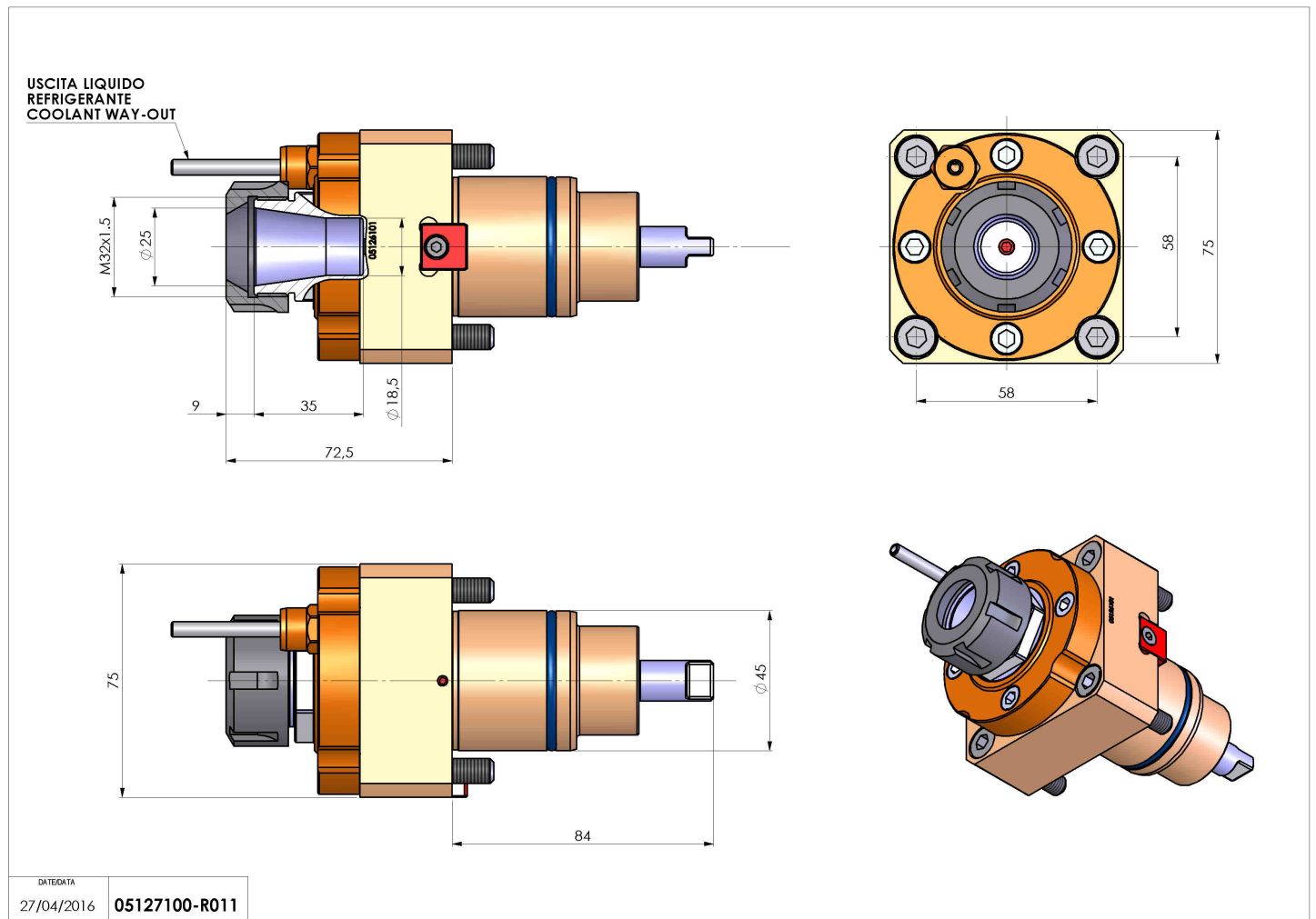


05127100 - LT-S BMT45 ER25 H72

Type	LT-S Tool holder straight
Mounting	BMT 45
Tool output	Collet nut ER 25
Coolant	External coolant
Direction of rotation	r1 r2
Max speed [rpm]	6000
Max torque [Nm]	25
Ratio	1:1
H [mm]	72,5
Accessories	
Notes	N.A.
Mounting tips	Not suitable for every application, please check



Always check live tool dimensions on the turret



DATE/DATE	
27/04/2016	05127100-R011

Subject to technical changes