

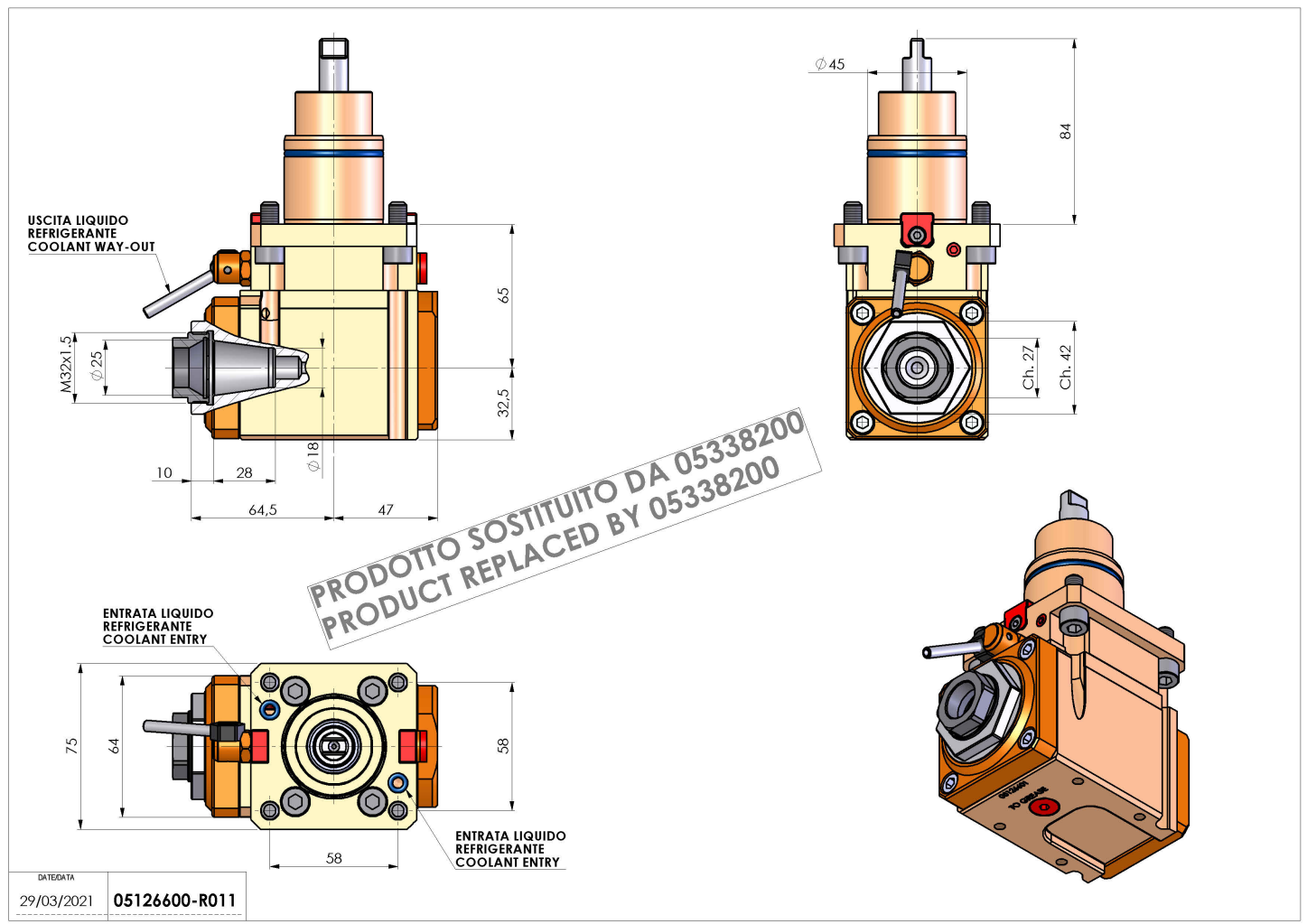
05126600 - LT-A BMT45 ER25F H65 DW

Type	LT-A Tool holder angle 90°
Mounting	BMT 45
Tool output	Collet nut ER 25 F - internal nut
Coolant	External coolant
Direction of rotation	r1 r2
Max speed [rpm]	6000
Max torque [Nm]	25
Ratio	1:1
H [mm]	65
H1 [mm]	32,5
Accessories	N.A.
Notes	N.A.
Mounting tips	Not suitable for every application, please check



REPLACED BY 05338200

Always check live tool dimensions on the turret



DATE/DATE	05126600-R011
29/03/2021	

Subject to technical changes