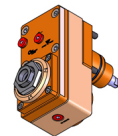
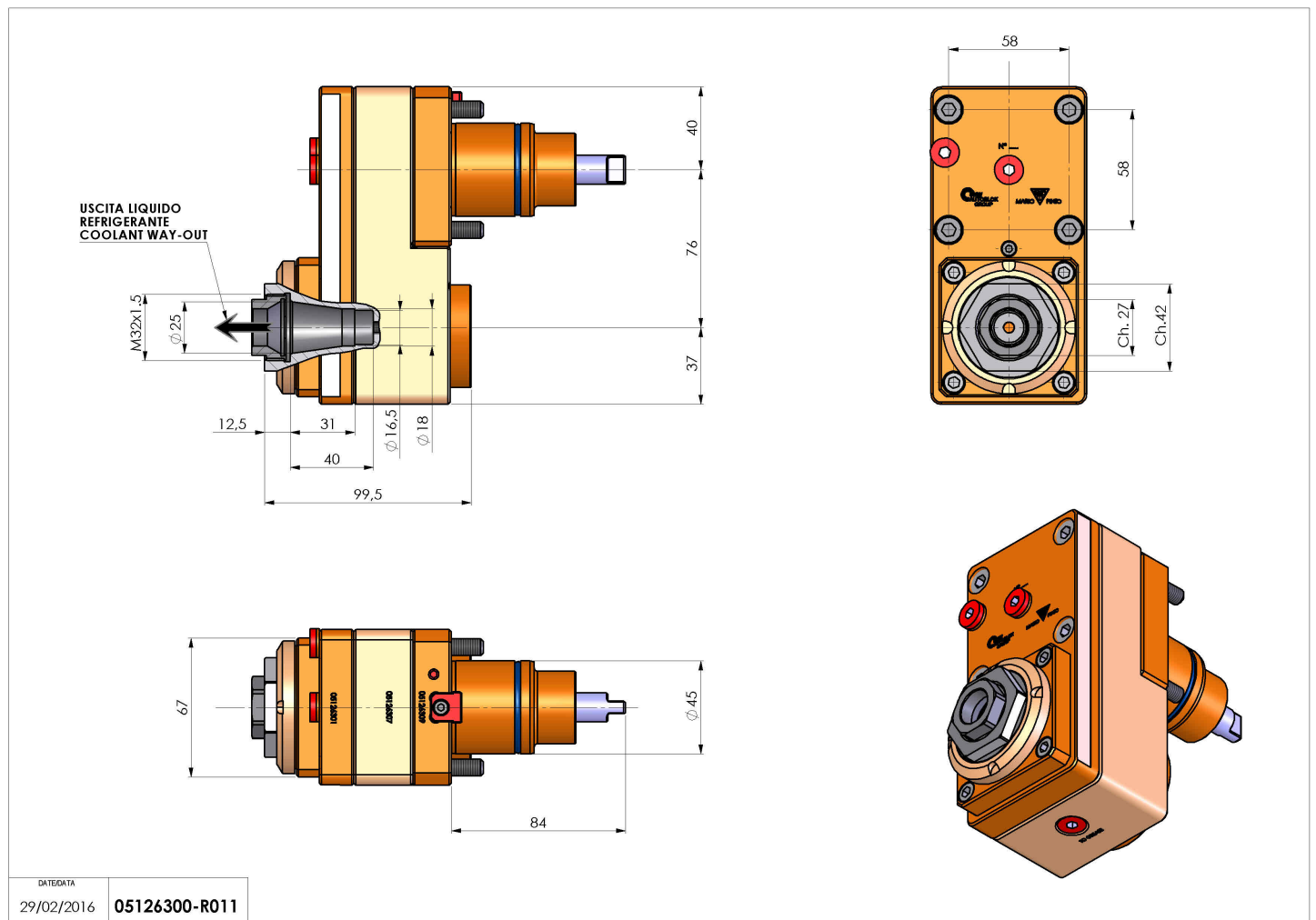


05126300 - LT-A BMT45 ER25F OF76 LR RF H90

Type	LT-S OFS Tool holder straight offset
Mounting	BMT 45
Tool output	Collet nut ER 25 F - internal nut
Coolant	Internal coolant
Offset [mm]	76
Direction of rotation	r1 r2
Max speed [rpm]	6000
Max torque [Nm]	40
Ratio	1:1
H [mm]	90
Accessories	N.A.
Notes	N.A.
Mounting tips	Not suitable for every application, please check



Always check live tool dimensions on the turret



DATE/DATE	29/02/2016	05126300-R011
-----------	------------	----------------------

Subject to technical changes