

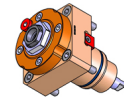
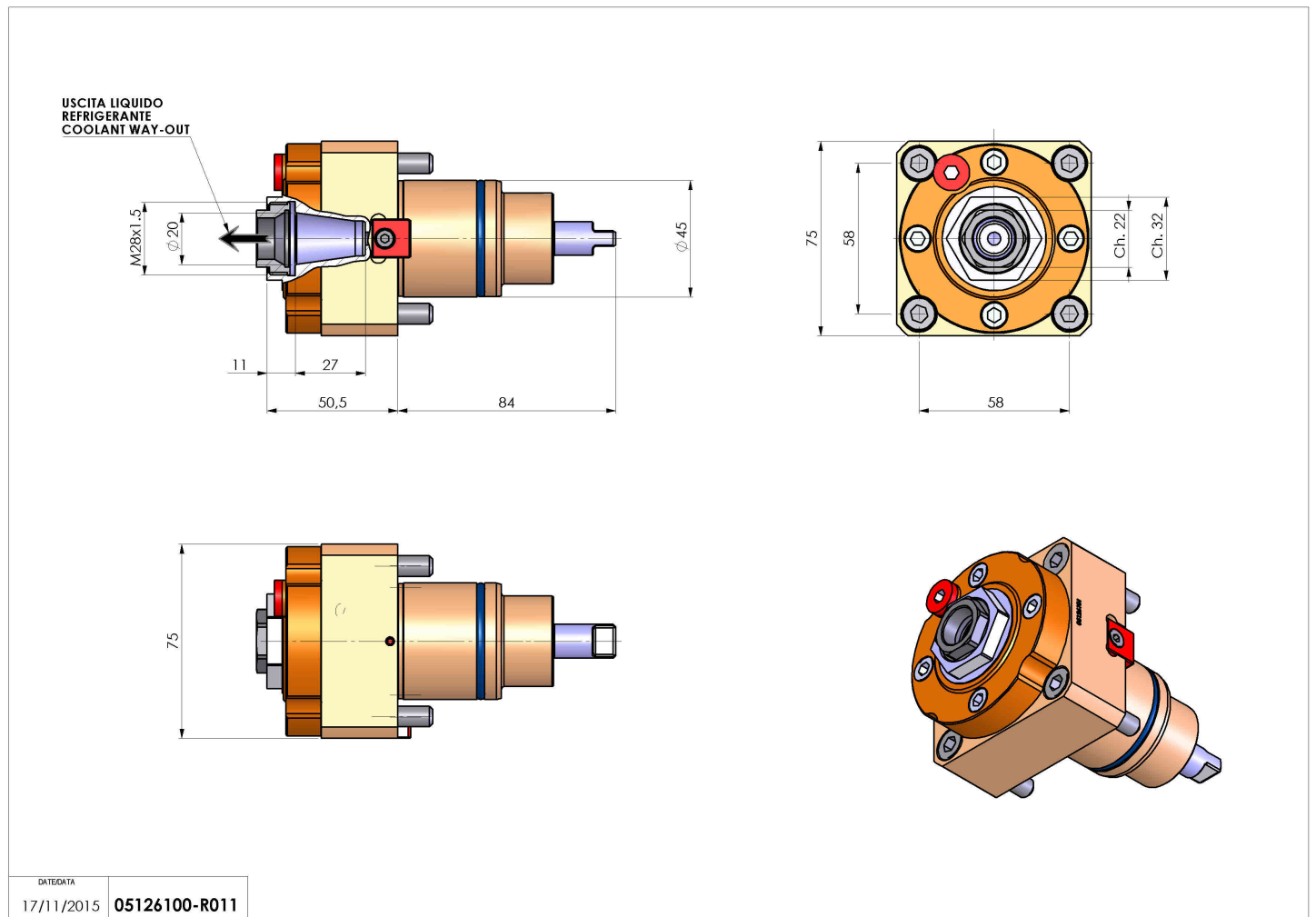


05126100 - LT-S BMT45 ER20F RF H51 DW

Type	LT-S Tool holder straight
Mounting	BMT 45
Tool output	Collet nut ER 20 F - internal nut
Coolant	Internal coolant
Direction of rotation	r1  r2 
Max speed [rpm]	6000
Max torque [Nm]	25
Ratio	1:1
H [mm]	50,5
Accessories	
Notes	N.A.
Mounting tips	Not suitable for every application, please check



Always check live tool dimensions on the turret



DATE/ATA	
17/11/2015	05126100-R011

Subject to technical changes