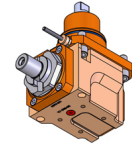
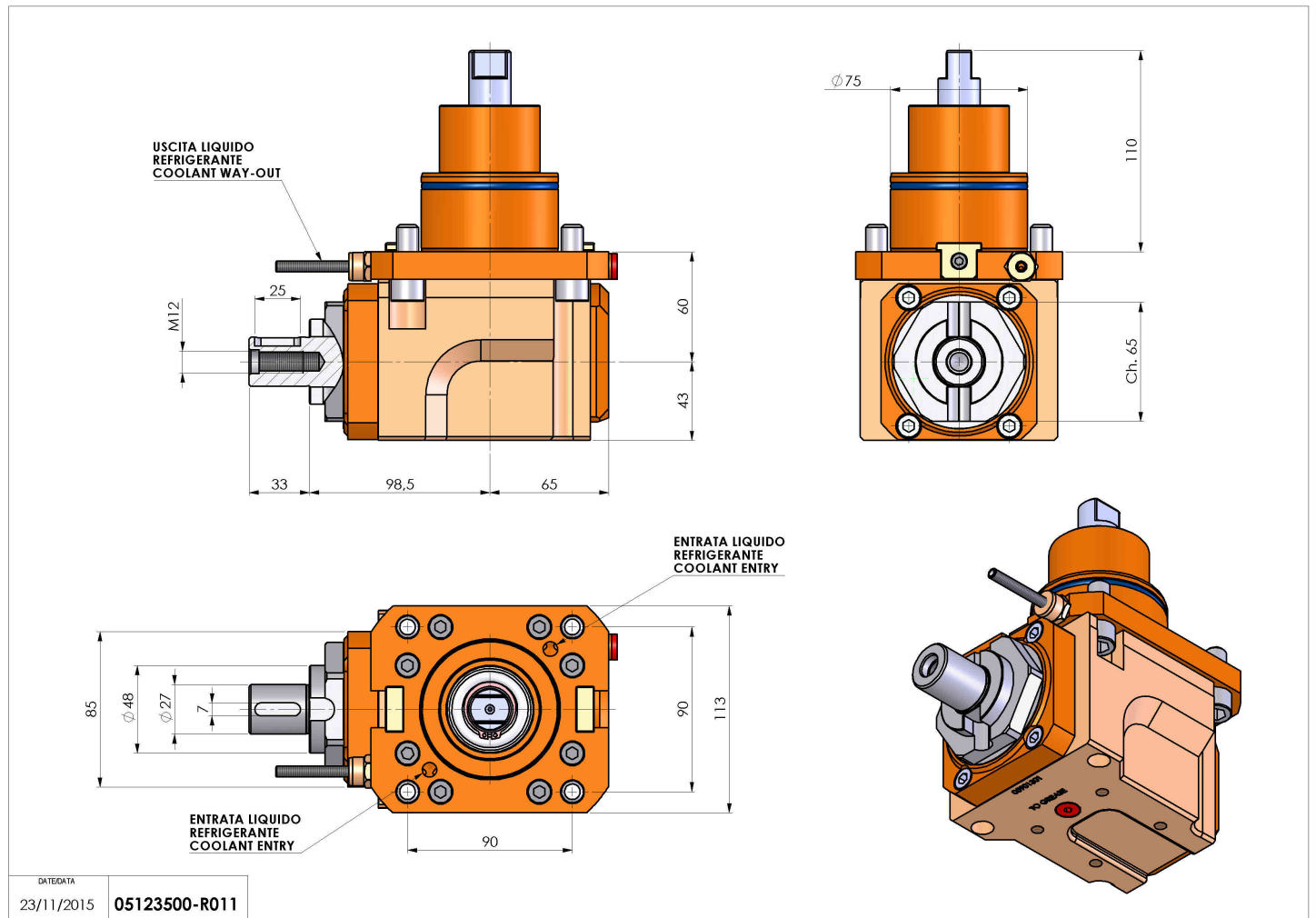


05123500 - LT-A BMT75 DIN138-27 H60 DW

Type	LT-A Tool holder angle 90°
Mounting	BMT 75
Tool output	Shell-Mill DIN138 27
Coolant	External coolant
Direction of rotation	r1 ↻ r2 ↻
Max speed [rpm]	4000
Max torque [Nm]	80
Ratio	1:1
H [mm]	60
H1 [mm]	43
Accessories	N.A.
Notes	N.A.
Mounting tips	Not suitable for every application, please check



Always check live tool dimensions on the turret



DATE/DATE
23/11/2015 05123500-R011

Subject to technical changes