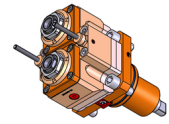
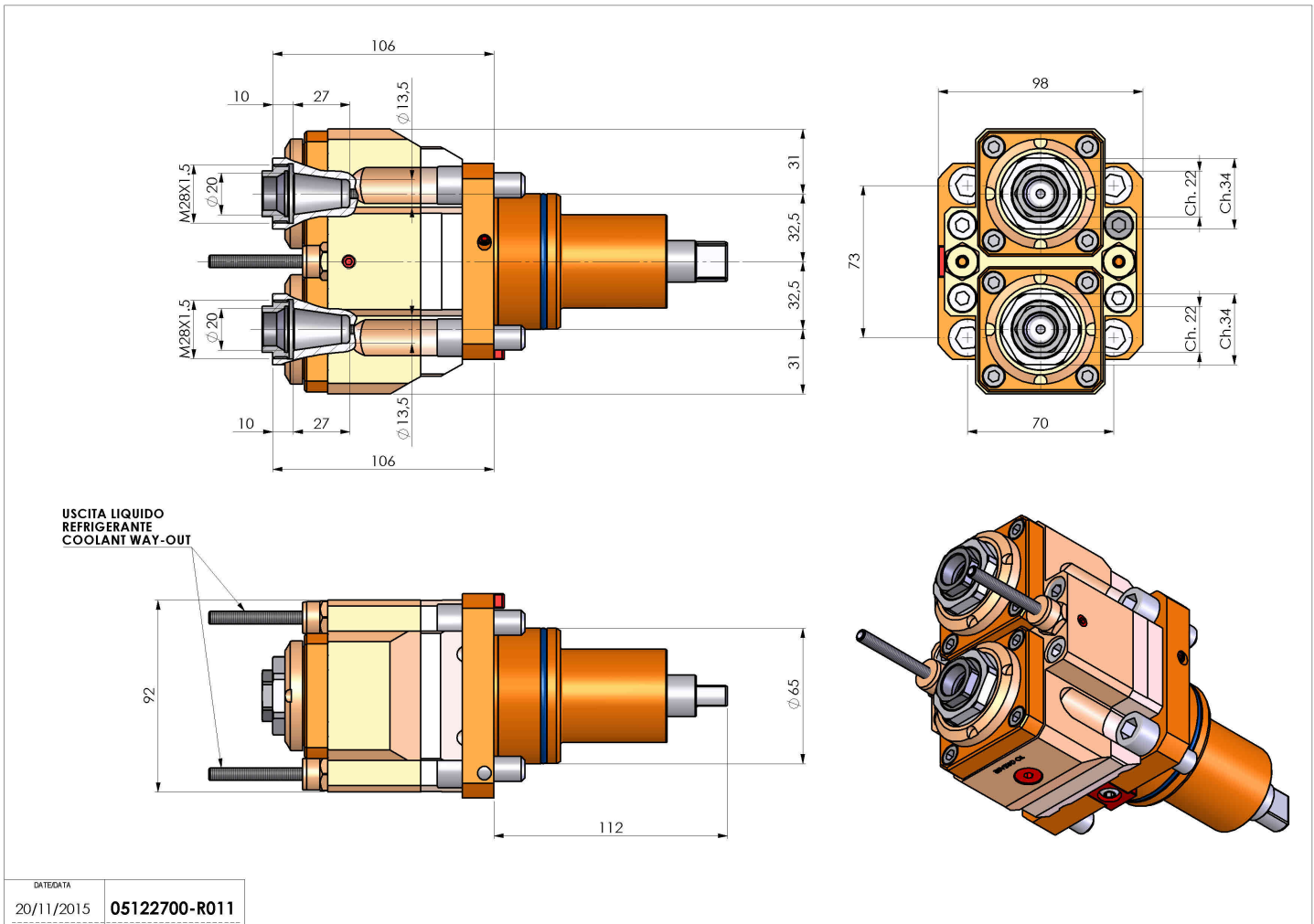


05122700 - LT-S2 BMT65 ER20F-20F 1:2 H105

Type	LT-S2 Tool holder double straight
Mounting	BMT 65
Tool output	Collet nut ER 20 F - internal nut
Coolant	External coolant
Direction of rotation	r1 r2 r3
Max speed [rpm]	in 6000 / out 12000
Max torque [Nm]	in 38 / out 16
Ratio	1:2
H [mm]	105
Accessories	N.A.
Notes	N.A.
Mounting tips	Not suitable for every application, please check



Always check live tool dimensions on the turret



DATE/DATE	
20/11/2015	05122700-R011

Subject to technical changes