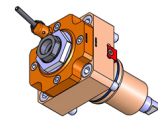
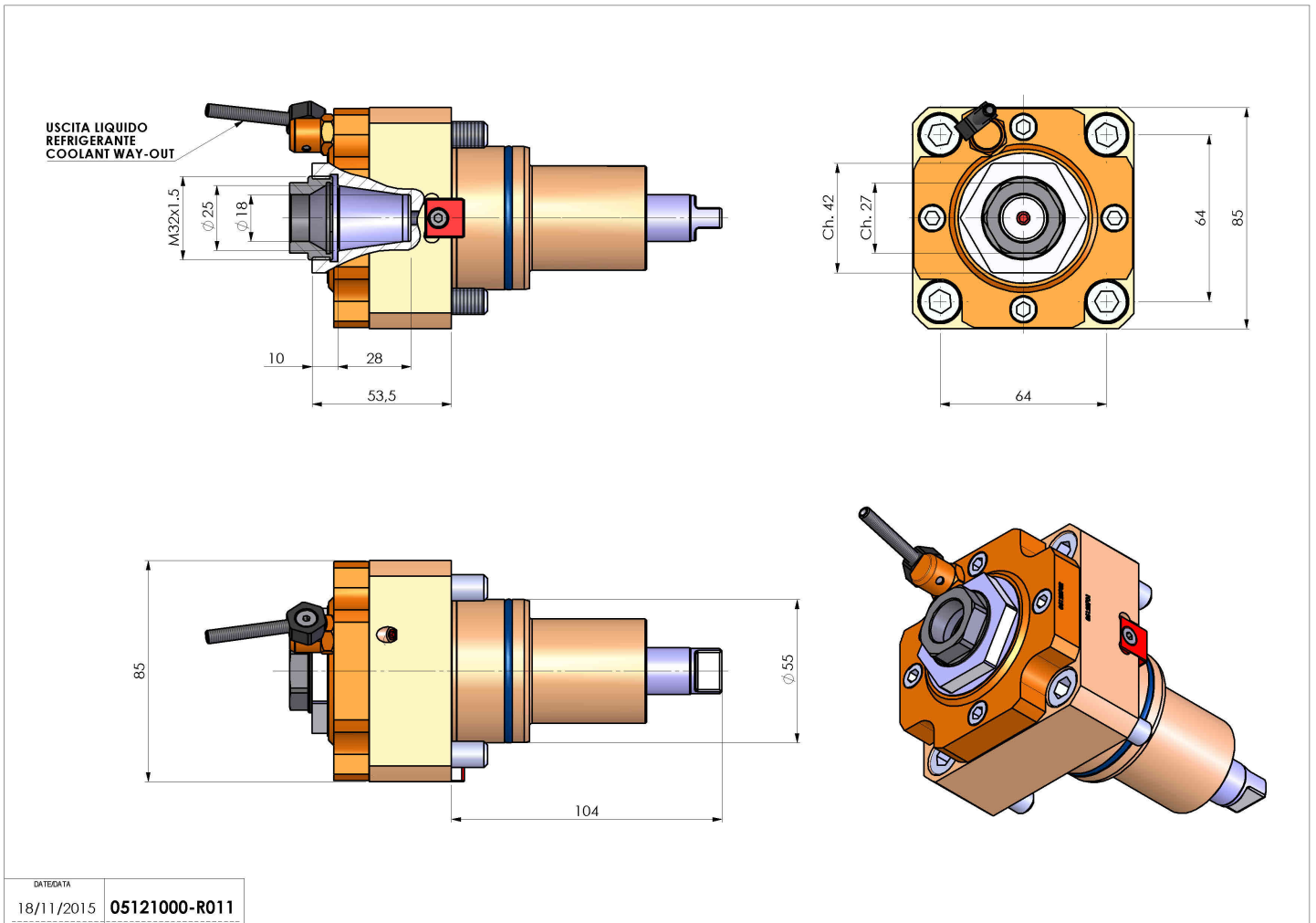


# 05121000 - LT-S BMT55 ER25F H53.5 DW

<b>Type</b>	LT-S Tool holder straight
<b>Mounting</b>	BMT 55
<b>Tool output</b>	Collet nut ER 25 F - internal nut
<b>Coolant</b>	External coolant
<b>Direction of rotation</b>	r1  r2
<b>Max speed [rpm]</b>	6000
<b>Max torque [Nm]</b>	40
<b>Ratio</b>	1:1
<b>H [mm]</b>	53,5
<b>Accessories</b>	
<b>Notes</b>	N.A.
<b>Mounting tips</b>	Not suitable for every application, please check



Always check live tool dimensions on the turret



DATE/DATE	05121000-R011
18/11/2015	

Subject to technical changes