

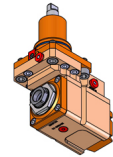
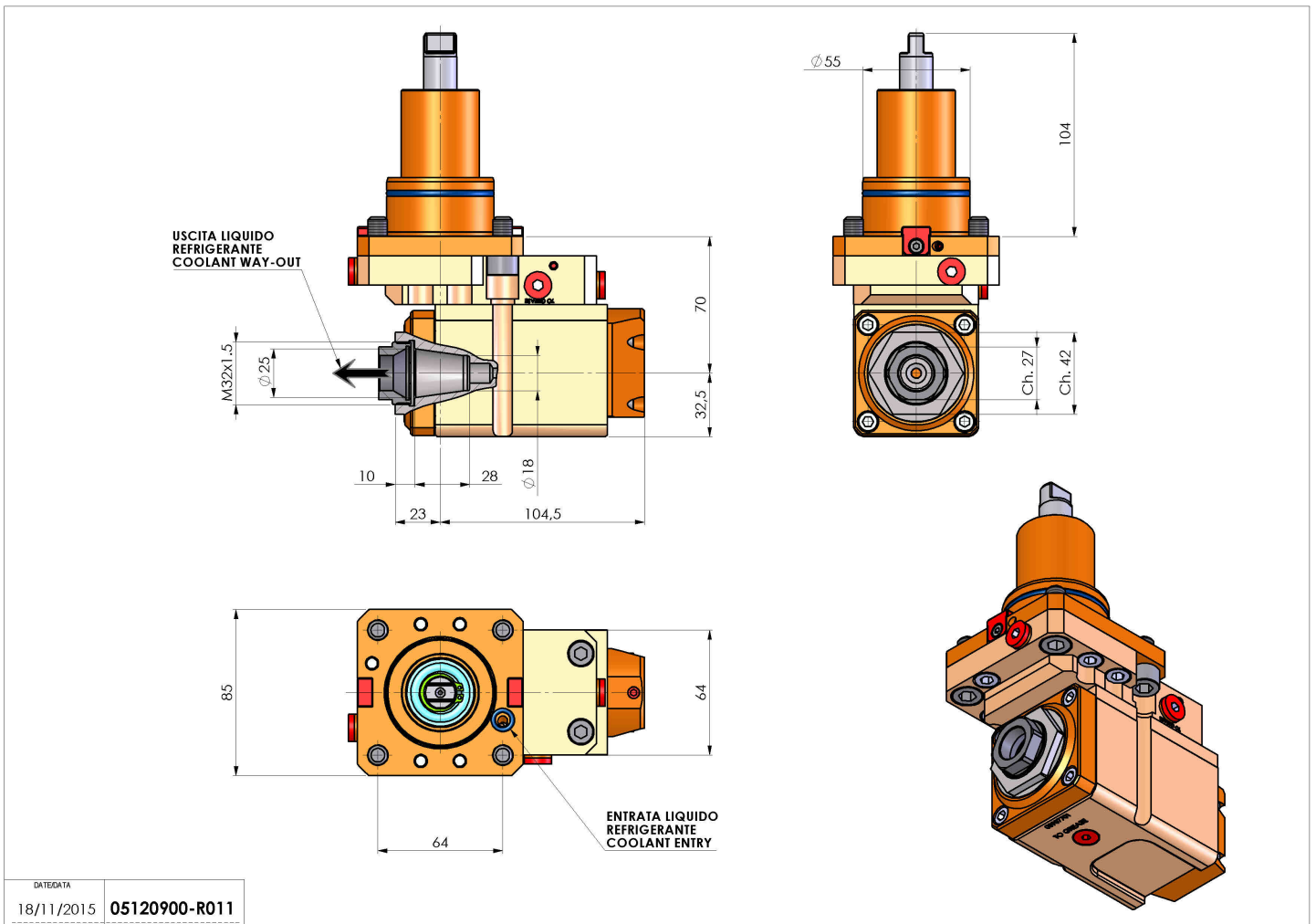


# 05120900 - LT-A BMT55 ER25F RF OFS H70 DW

|                              |                                                                                                                                                                           |
|------------------------------|---------------------------------------------------------------------------------------------------------------------------------------------------------------------------|
| <b>Type</b>                  | LT-A OFS<br>Tool holder offset angle 90°                                                                                                                                  |
| <b>Mounting</b>              | BMT 55                                                                                                                                                                    |
| <b>Tool output</b>           | Collet nut ER 25 F - internal nut                                                                                                                                         |
| <b>Coolant</b>               | Internal coolant                                                                                                                                                          |
| <b>Direction of rotation</b> | r1  r2  |
| <b>Max speed [rpm]</b>       | 6000                                                                                                                                                                      |
| <b>Max torque [Nm]</b>       | 25                                                                                                                                                                        |
| <b>Ratio</b>                 | 1:1                                                                                                                                                                       |
| <b>H [mm]</b>                | 70                                                                                                                                                                        |
| <b>H1 [mm]</b>               | 32,5                                                                                                                                                                      |
| <b>Accessories</b>           | N.A.                                                                                                                                                                      |
| <b>Notes</b>                 | N.A.                                                                                                                                                                      |
| <b>Mounting tips</b>         | Not suitable for every application, please check                                                                                                                          |



Always check live tool dimensions on the turret



|            |               |
|------------|---------------|
| DATE/DATE  | 05120900-R011 |
| 18/11/2015 |               |

Subject to technical changes