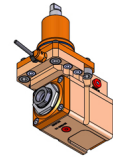
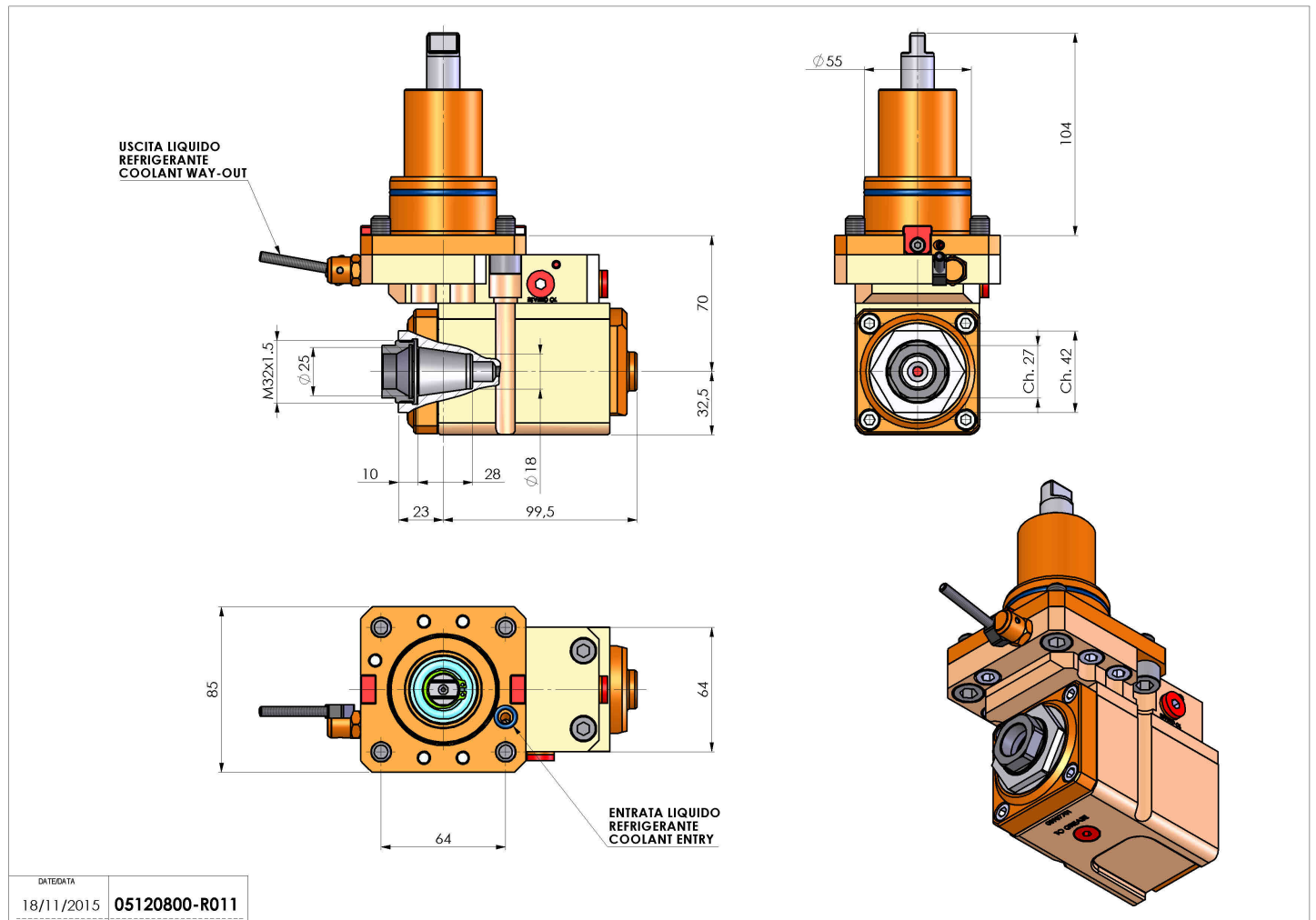


05120800 - LT-A BMT55 ER25F OFS H70 DW

Type	LT-A OFS Tool holder offset angle 90°
Mounting	BMT 55
Tool output	Collet nut ER 25 F - internal nut
Coolant	External coolant
Direction of rotation	r1 ↻ r2 ↻
Max speed [rpm]	6000
Max torque [Nm]	25
Ratio	1:1
H [mm]	70
H1 [mm]	32,5
Accessories	N.A.
Notes	N.A.
Mounting tips	Not suitable for every application, please check



Always check live tool dimensions on the turret



DATE/DATE	18/11/2015	05120800-R011
-----------	------------	---------------

Subject to technical changes