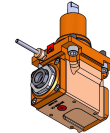


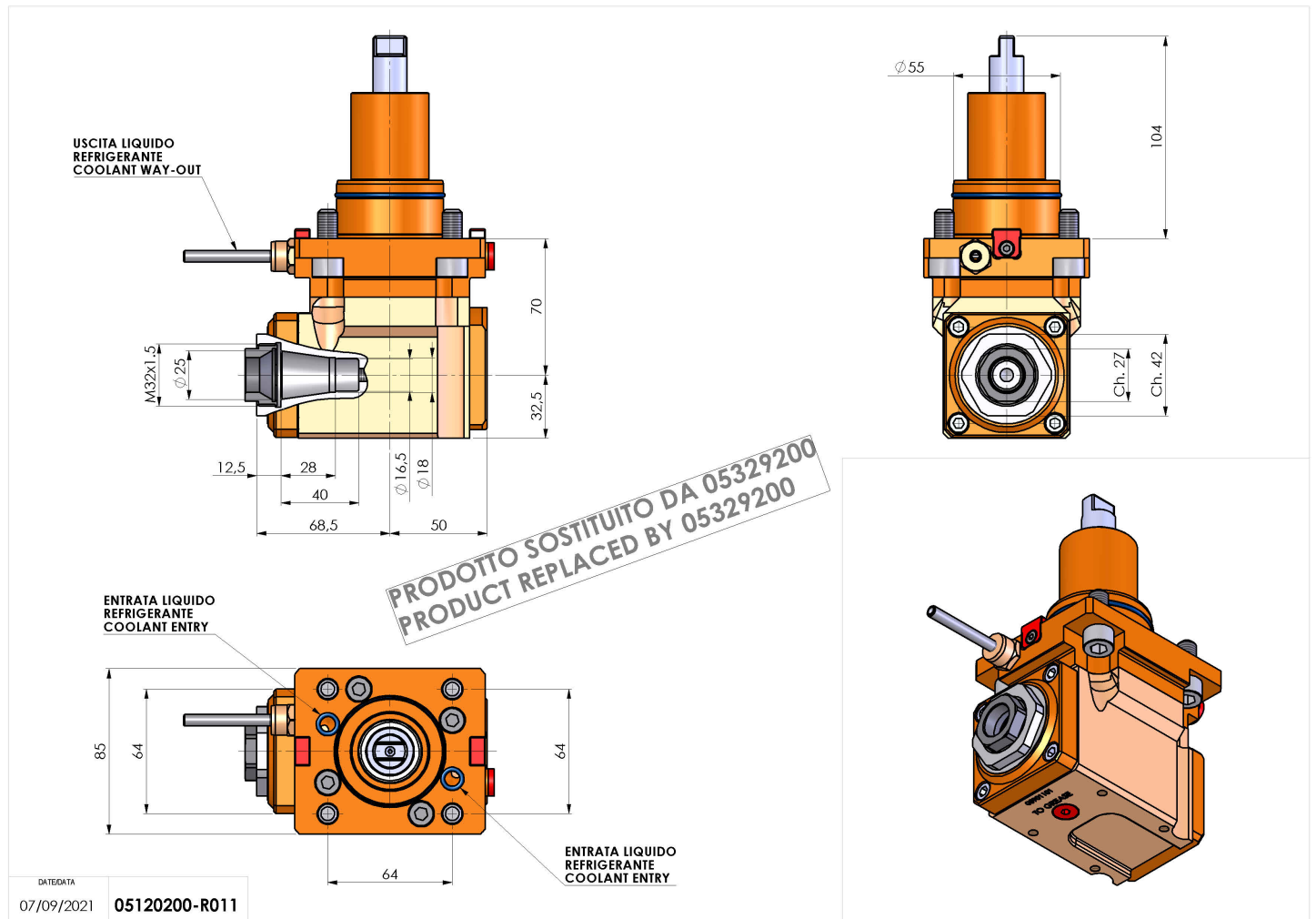
05120200 - LT-A BMT55 ER25F H70 DW

| | |
|-----------------------|--|
| Type | LT-A Tool holder angle 90° |
| Mounting | BMT 55 |
| Tool output | Collet nut ER 25 F - internal nut |
| Coolant | External coolant |
| Direction of rotation | r1 ↻ r2 ↻ |
| Max speed [rpm] | 6000 |
| Max torque [Nm] | 40 |
| Ratio | 1:1 |
| H [mm] | 70 |
| H1 [mm] | 32,5 |
| Accessories | N.A. |
| Notes | N.A. |
| Mounting tips | Not suitable for every application, please check |



REPLACED BY 05329200

Always check live tool dimensions on the turret



Subject to technical changes