

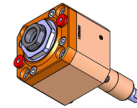
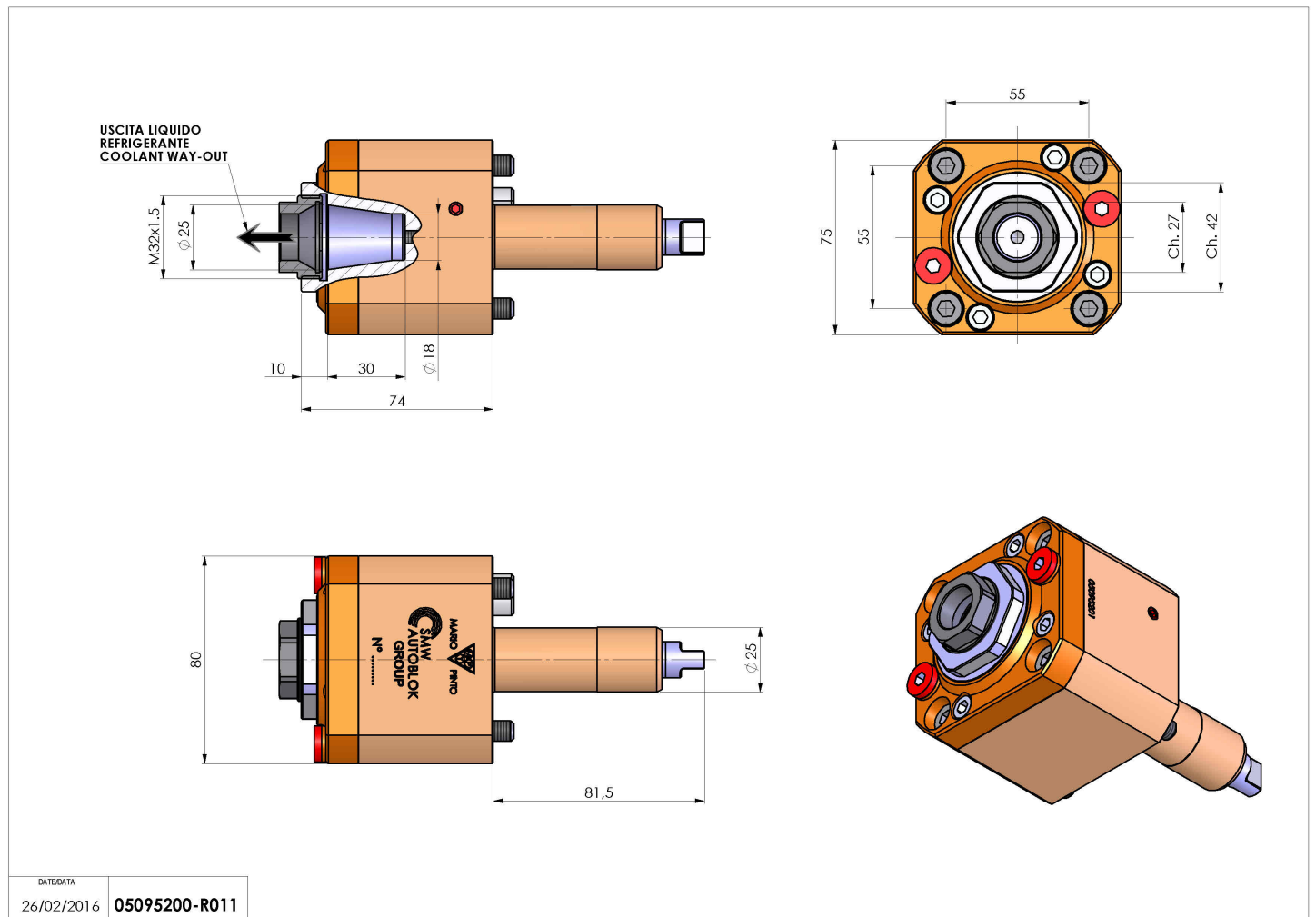


05095200 - LT-S D25 ER25F H74 RF ROMI

Type	LT-S Tool holder straight
Mounting	CYLINDRICAL SHANK 25
Tool output	Collet nut ER 25 F - internal nut
Coolant	Internal coolant
Direction of rotation	r1  r2 
Max speed [rpm]	6000
Max torque [Nm]	40
Ratio	1:1
H [mm]	74
Accessories	
Notes	N.A.
Mounting tips	Not suitable for every application, please check



Always check live tool dimensions on the turret



Subject to technical changes