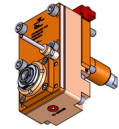
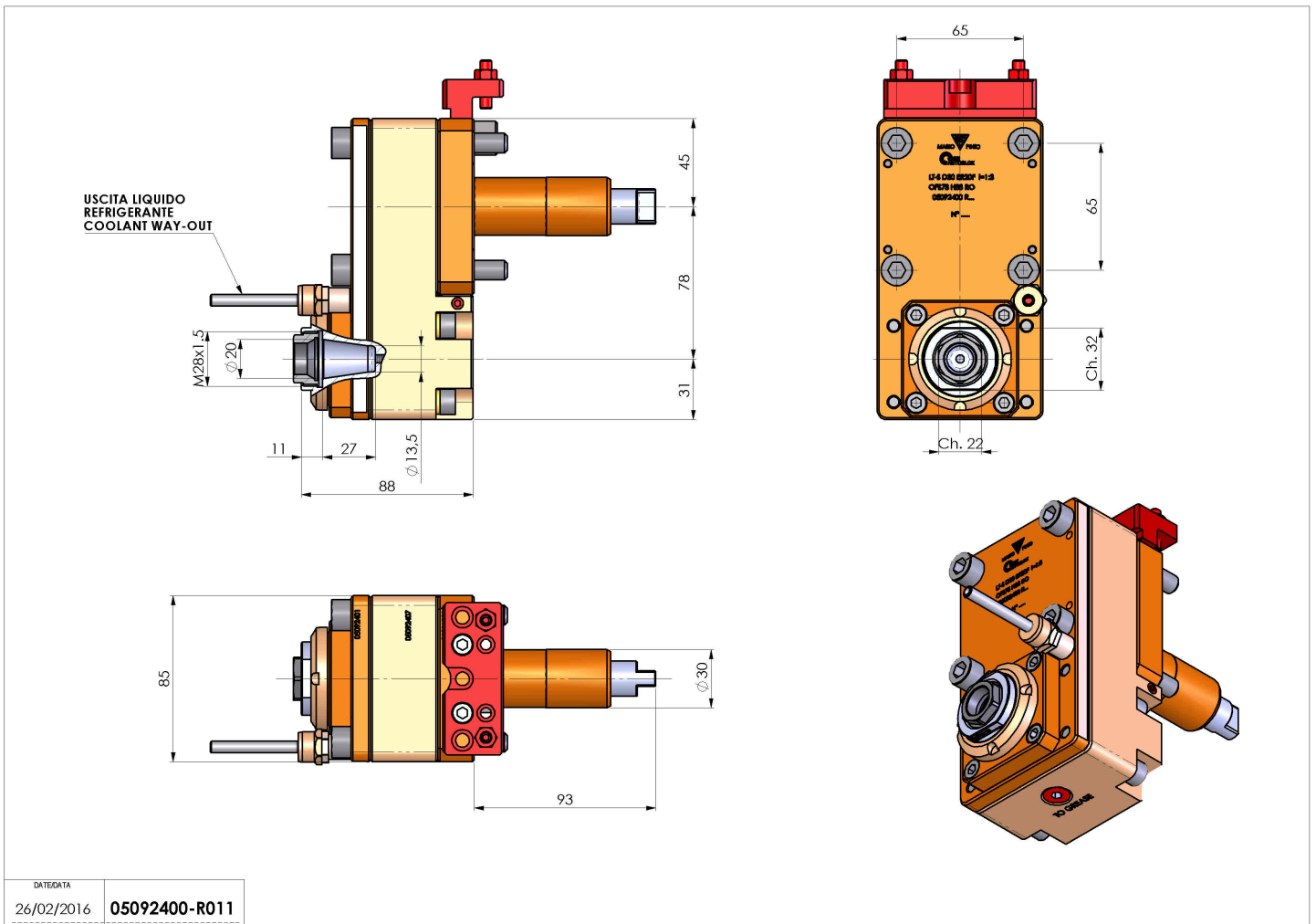


05092400 - LT-S D30 ER20F OFS78 X3 H88 RO

Type	LT-S OFS Tool holder straight offset
Mounting	CYLINDRICAL SHANK 30
Tool output	Collet nut ER 20 F - internal nut
Coolant	External coolant
Offset [mm]	78
Direction of rotation	r1 ↻ r2 ↻
Max speed [rpm]	in 5000 / out 15000
Max torque [Nm]	in 50 / out 14
Ratio	1:3
H [mm]	88,5
Accessories	N.A.
Notes	N.A.
Mounting tips	Not suitable for every application, please check



Always check live tool dimensions on the turret



DATE/DATE	05092400-R011
26/02/2016	

Subject to technical changes