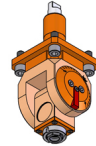
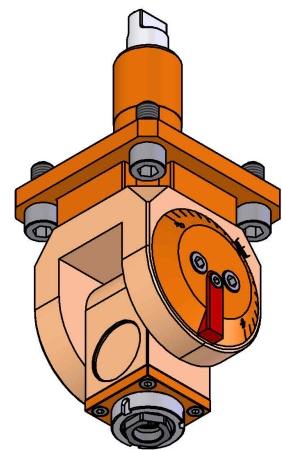
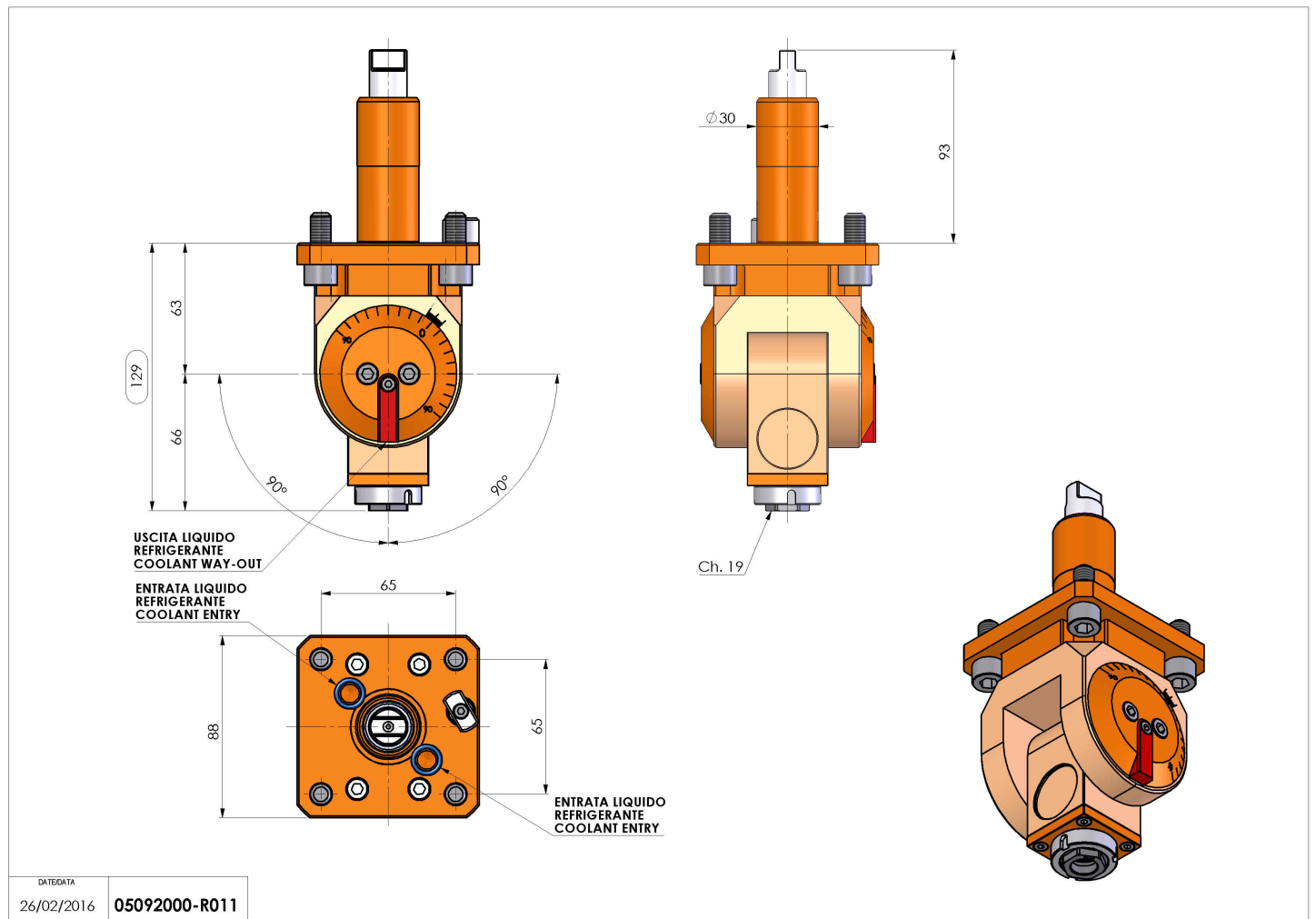


05092000 - LT-T D30 ER16F H63-129 RO

Type	LT-T Tool holder tiltable
Mounting	CYLINDRICAL SHANK 30
Tool output	Collet nut ER 16 F - internal nut
Coolant	External coolant
Direction of rotation	r1 ↻ r2 ↻
Max speed [rpm]	6000
Max torque [Nm]	10
Ratio	1:1
H [mm]	63-132
Accessories	N.A.
Notes	N.A.
Mounting tips	Not suitable for every application, please check



Always check live tool dimensions on the turret



Subject to technical changes

DATE/DATE
26/02/2016 05092000-R011