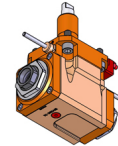
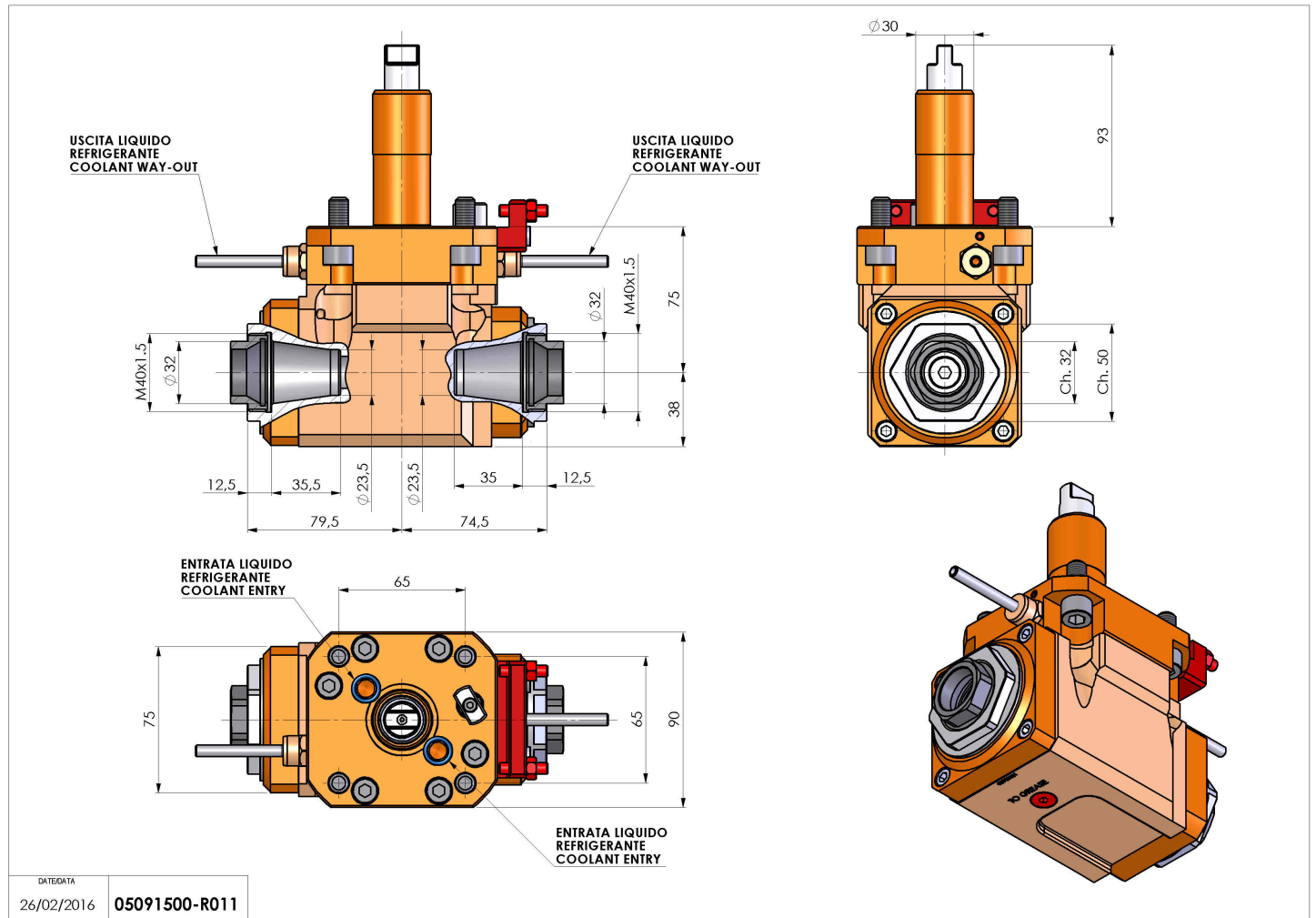


05091500 - LT-A D30 ER32F-32F L-R H75 RO

Type	LT-A DBL Tool holder double angle 90°
Mounting	CYLINDRICAL SHANK 30
Tool output	Collet nut ER 32 F - internal nut
Coolant	External coolant
Direction of rotation	r1 ↻ r2 ↻ r3 ↻
Max speed [rpm]	6000
Max torque [Nm]	63
Ratio	1:1
H [mm]	75
H1 [mm]	38
Accessories	N.A.
Notes	N.A.
Mounting tips	Not suitable for every application, please check



Always check live tool dimensions on the turret



DATE/DATA: 26/02/2016
05091500-R011

Subject to technical changes