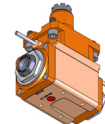
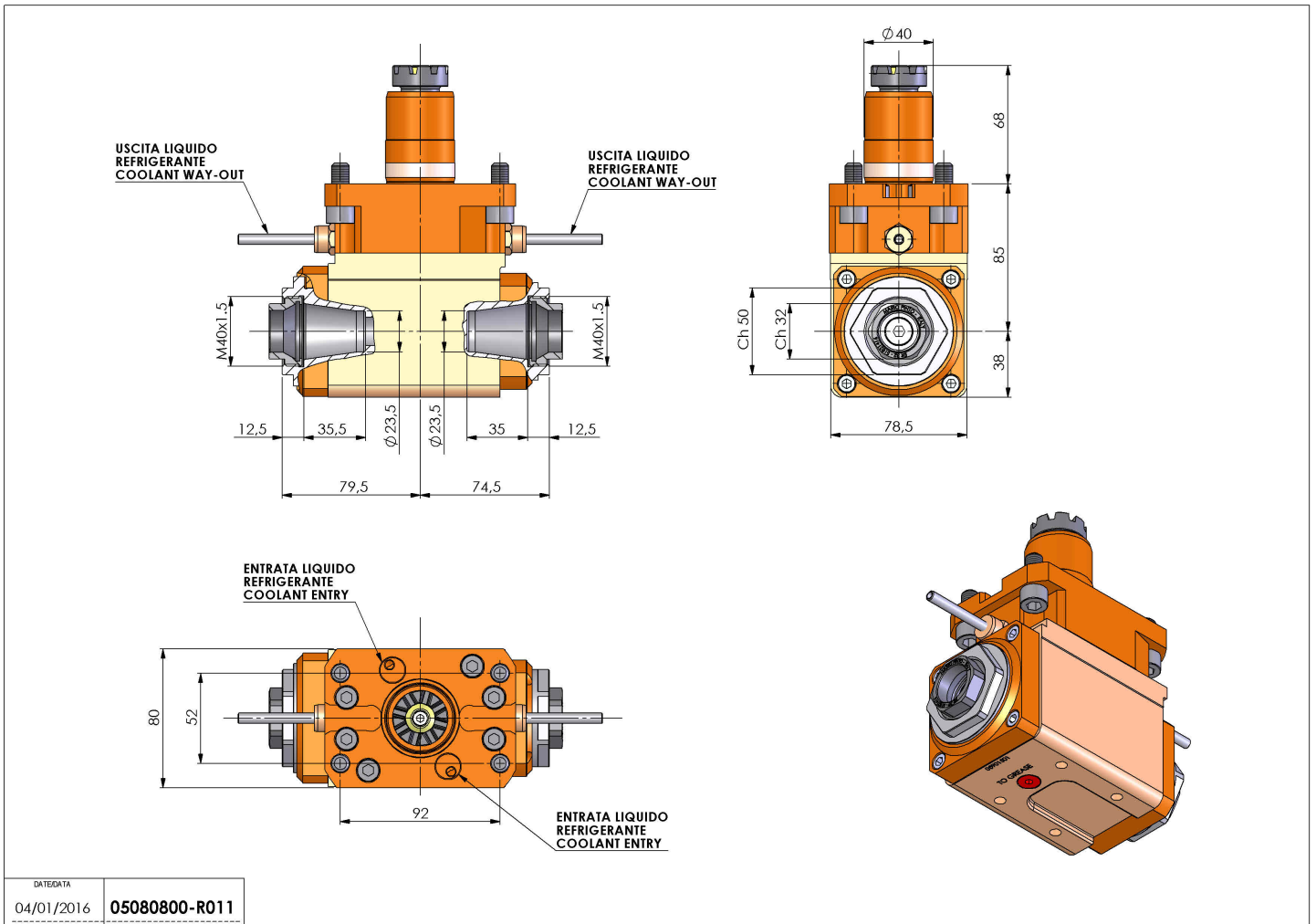


05080800 - LT-A D40 ER32-32-F L-R H85 AN

| | |
|------------------------------|--|
| Type | LT-A DBL Tool holder double angle 90° |
| Mounting | CYLINDRICAL SHANK 40 |
| Tool output | Collet nut ER 32 F - internal nut |
| Coolant | External coolant |
| Direction of rotation | r1 r2 r3 |
| Max speed [rpm] | 6000 |
| Max torque [Nm] | 63 |
| Ratio | 1:1 |
| H [mm] | 85 |
| H1 [mm] | 38 |
| Accessories | N.A. |
| Notes | N.A. |
| Mounting tips | Not suitable for every application, please check |



Always check live tool dimensions on the turret



| | |
|-----------|---------------|
| DATE/DATA | 04/01/2016 |
| | 05080800-R011 |

Subject to technical changes