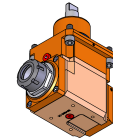
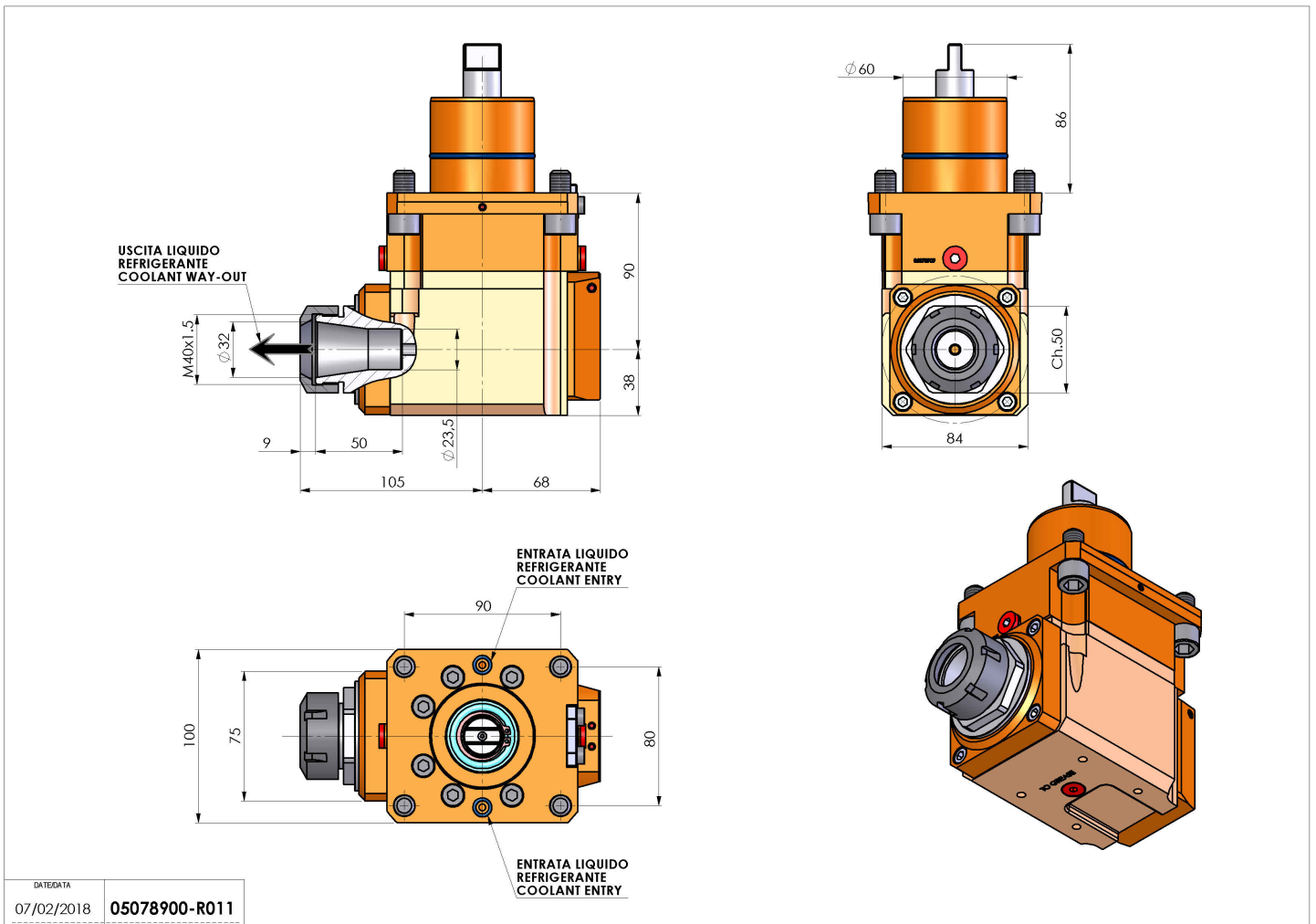


05078900 - LT-A D60 ER32 LR RF H90

| | |
|------------------------------|--|
| Type | LT-A Tool holder angle 90° |
| Mounting | CYLINDRICAL SHANK 60 |
| Tool output | Collet nut ER 32 |
| Coolant | Internal coolant |
| Direction of rotation | r1 ↻ r2 ↻ |
| Max speed [rpm] | 6000 |
| Max torque [Nm] | 63 |
| Ratio | 1:1 |
| H [mm] | 90 |
| H1 [mm] | 38 |
| Accessories | N.A. |
| Notes | N.A. |
| Mounting tips | Not suitable for every application, please check |



Always check live tool dimensions on the turret



DATE/DATE
07/02/2018 **05078900-R011**

Subject to technical changes