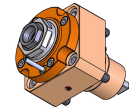
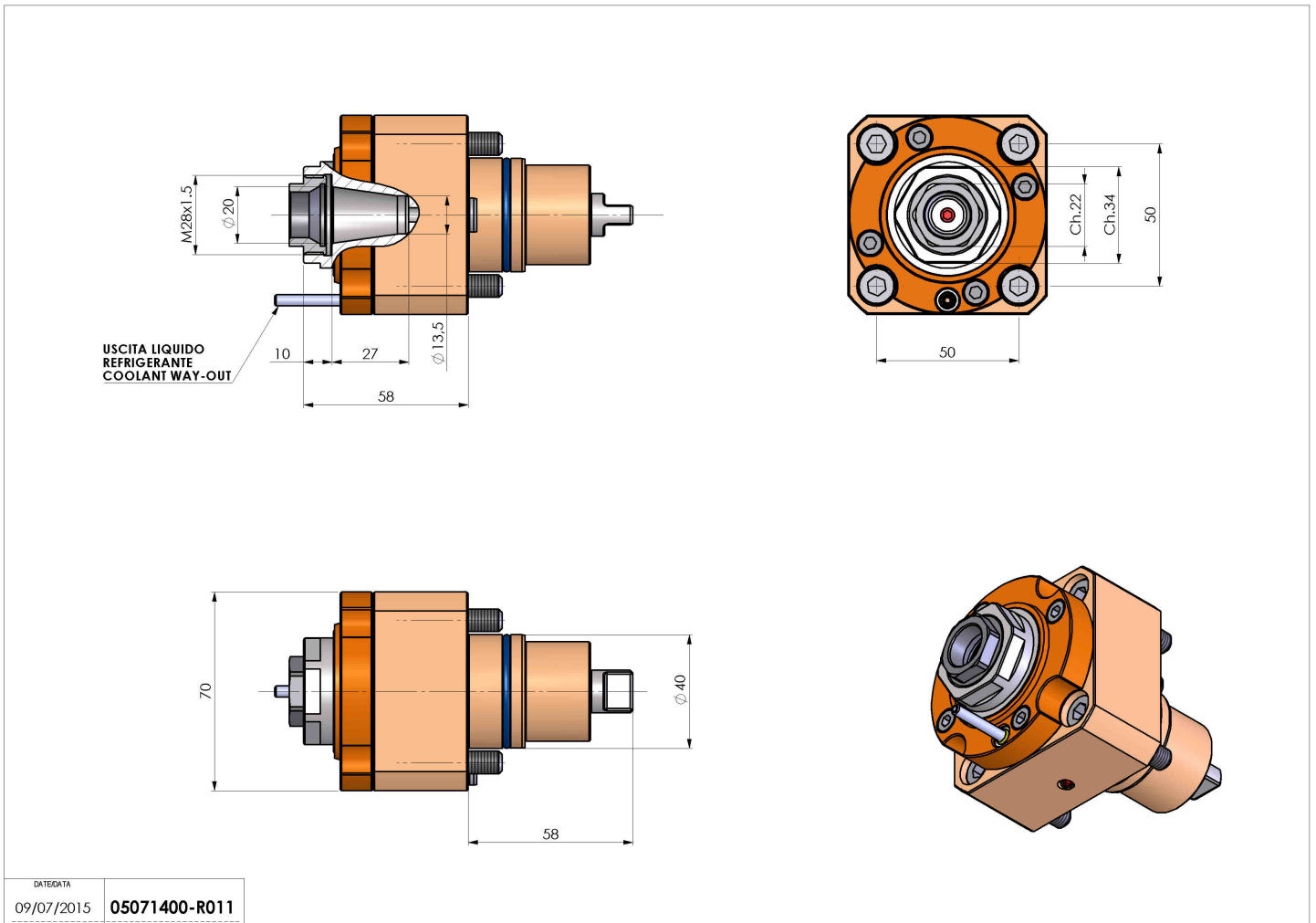


05071400 - LT-S D40 ER20F H58 BI

| | |
|------------------------------|--|
| Type | LT-S Tool holder straight |
| Mounting | CYLINDRICAL SHANK 40 |
| Tool output | Collet nut ER 20 F - internal nut |
| Coolant | External coolant |
| Direction of rotation | r1 r2 |
| Max speed [rpm] | 6000 |
| Max torque [Nm] | 25 |
| Ratio | 1:1 |
| H [mm] | 58 |
| Accessories | |
| Notes | N.A. |
| Mounting tips | Not suitable for every application, please check |



Always check live tool dimensions on the turret



| | |
|-----------|---------------|
| DATE/DATE | 09/07/2015 |
| | 05071400-R011 |

Subject to technical changes