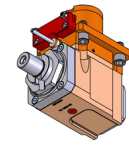
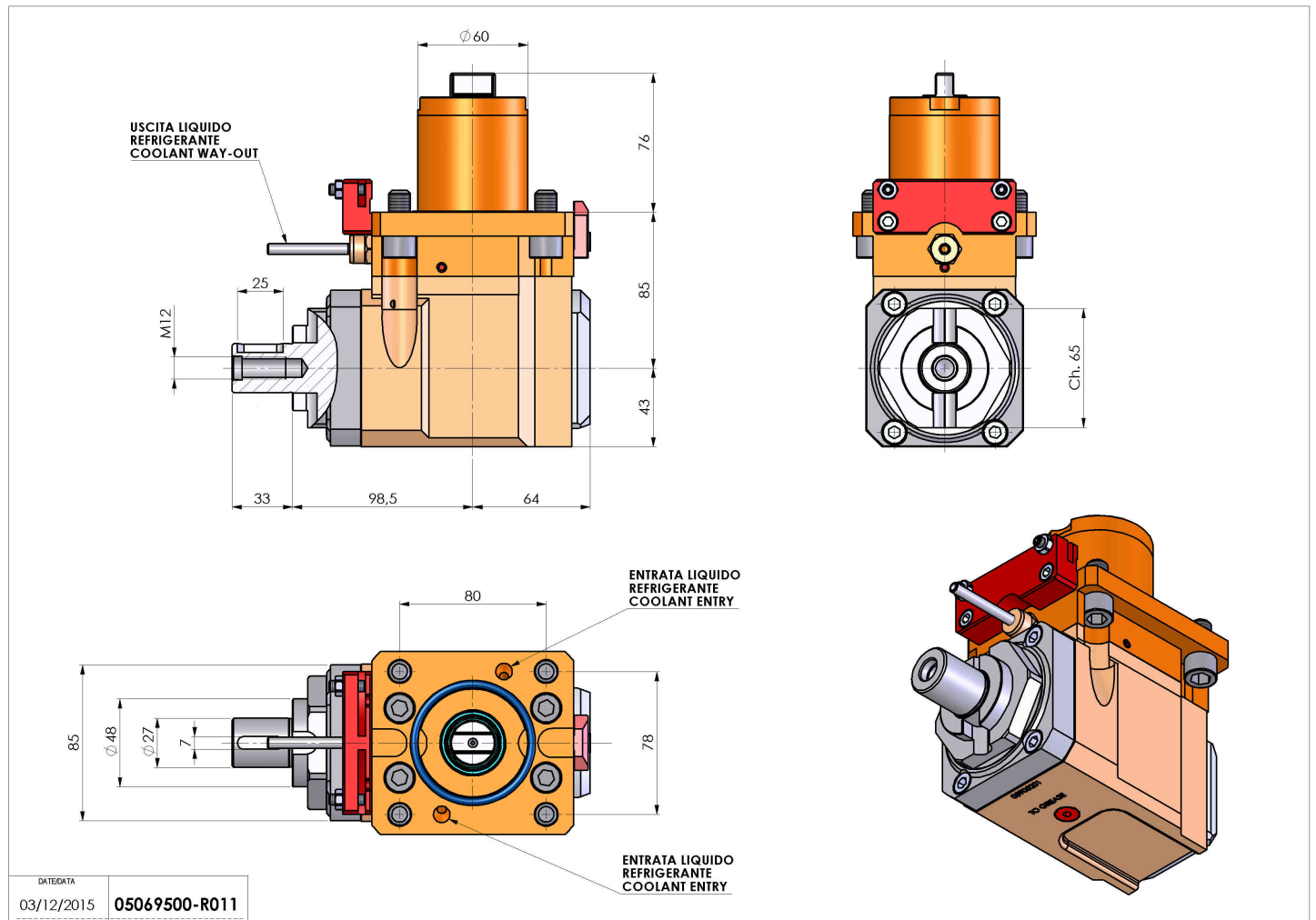


# 05069500 - LT-A D60 DIN138-27 H85 OK

|                              |  |
|------------------------------|--|
| <b>Type</b>                  | LT-A<br>Tool holder angle 90°                    |
| <b>Mounting</b>              | CYLINDRICAL SHANK 60                             |
| <b>Tool output</b>           | Shell-Mill DIN138 27                             |
| <b>Coolant</b>               | External coolant                                 |
| <b>Direction of rotation</b> | r1  r2   |
| <b>Max speed [rpm]</b>       | 6000   |
| <b>Max torque [Nm]</b>       | 100  |
| <b>Ratio</b>                 | 1:1  |
| <b>H [mm]</b>                | 85   |
| <b>H1 [mm]</b>               | 43   |
| <b>Accessories</b>           | N.A.   |
| <b>Notes</b>                 | N.A.   |
| <b>Mounting tips</b>         | Not suitable for every application, please check |



Always check live tool dimensions on the turret



|             |               |
|-------------|---------------|
| DATE/DATE   | 03/12/2015    |
| PART NUMBER | 05069500-R011 |

Subject to technical changes