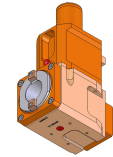


# 05059400 - LT-A VDI50 ISOBT40LRF2:1H160MZ

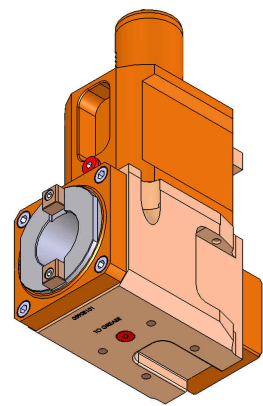
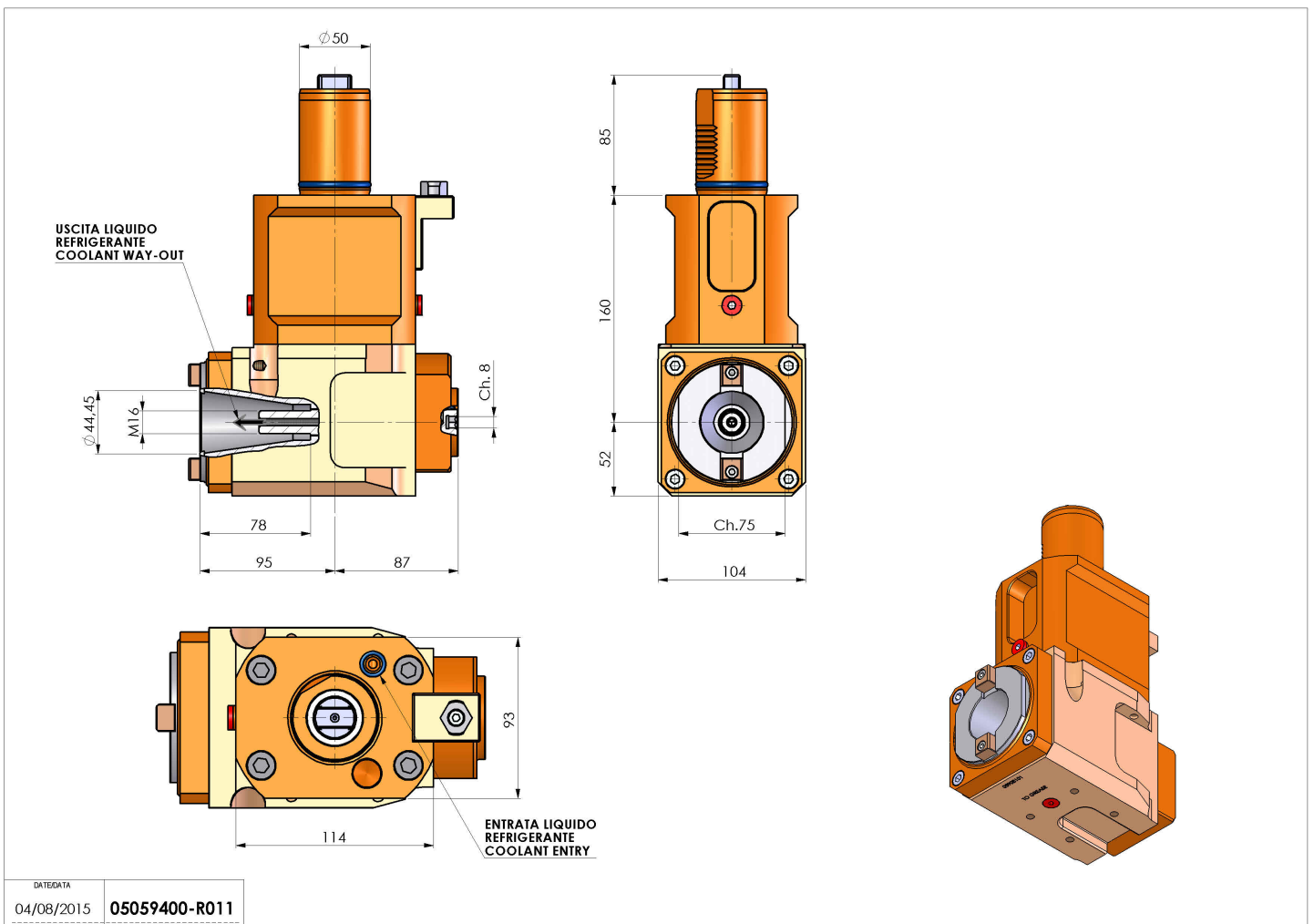
<b>Type</b>	LT-A Tool holder angle 90°
<b>Mounting</b>	VDI 50
<b>Tool output</b>	Quick Change ISO-BT40
<b>Coolant</b>	Internal coolant
<b>Direction of rotation</b>	r1  r2
<b>Max speed [rpm]</b>	in 6000 / out 3000
<b>Max torque [Nm]</b>	in 60/ out 120
<b>Ratio</b>	2:1
<b>H [mm]</b>	160
<b>H1 [mm]</b>	52
<b>Accessories</b>	N.A.
<b>Notes</b>	N.A.



**Mounting tips** Not suitable for every application, please check

**ATTENZIONE: VERIFICARE L'ORIENTAMENTO DELLA DENTATURA VDI**

Always check live tool dimensions on the turret



DATE/DATE	04/08/2015	05059400-R011
-----------	------------	---------------

Subject to technical changes