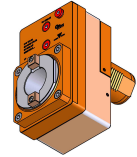


# 05059100 - LT-S VDI50ISOBT40OFS76RFH105MZ

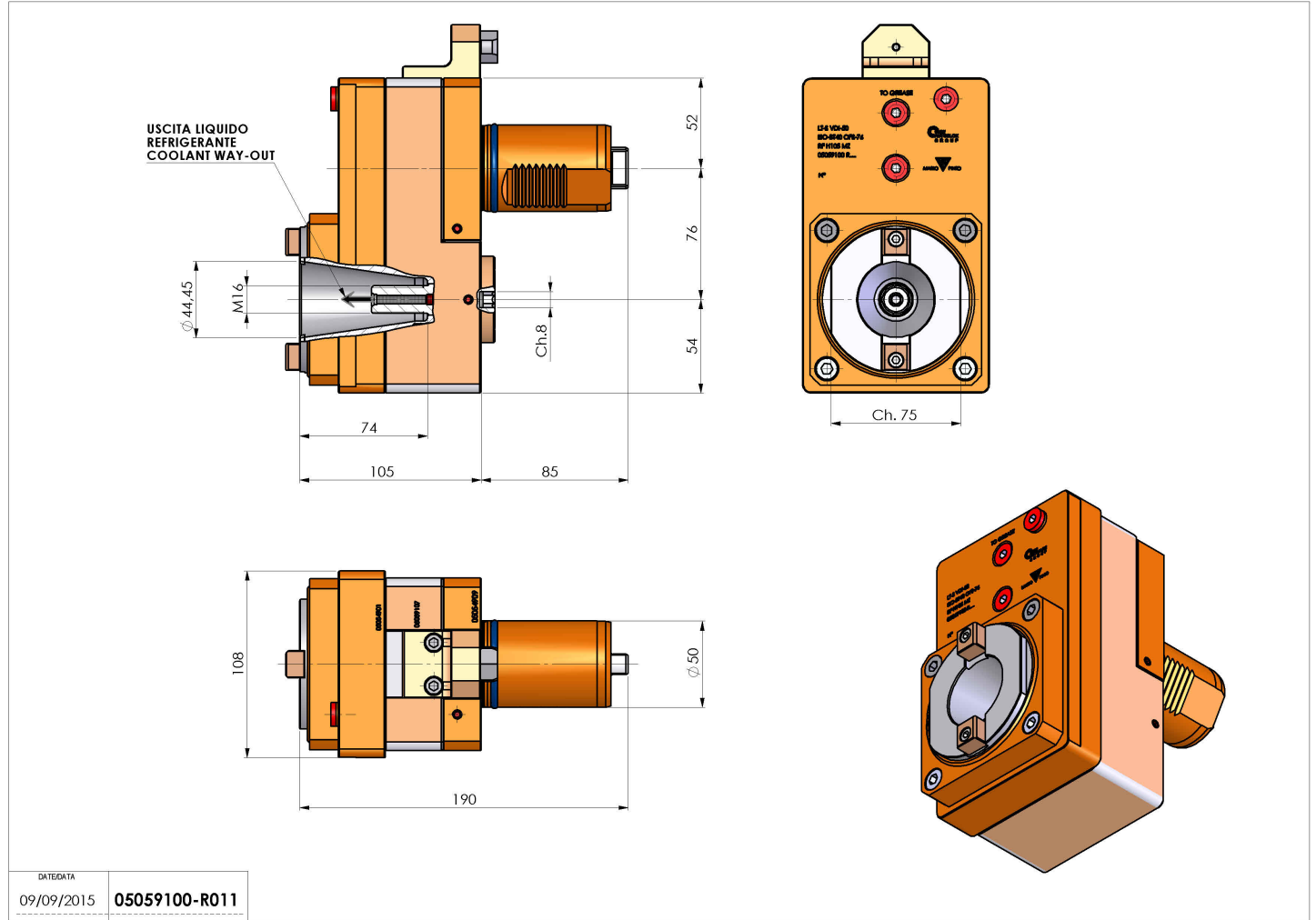
<b>Type</b>	LT-S OFS Tool holder straight offset
<b>Mounting</b>	VDI 50
<b>Tool output</b>	Quick Change ISO-BT40
<b>Coolant</b>	Internal coolant
<b>Offset [mm]</b>	76
<b>Direction of rotation</b>	r1 ↻ r2 ↻
<b>Max speed [rpm]</b>	6000
<b>Max torque [Nm]</b>	180
<b>Ratio</b>	1:1
<b>H [mm]</b>	105
<b>Accessories</b>	N.A.
<b>Notes</b>	N.A.



**Mounting tips** Not suitable for every application, please check

**ATTENZIONE: VERIFICARE L'ORIENTAMENTO DELLA DENTATURA VDI**

Always check live tool dimensions on the turret



DATE/DATE	09/09/2015	05059100-R011
-----------	------------	---------------

Subject to technical changes