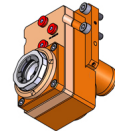
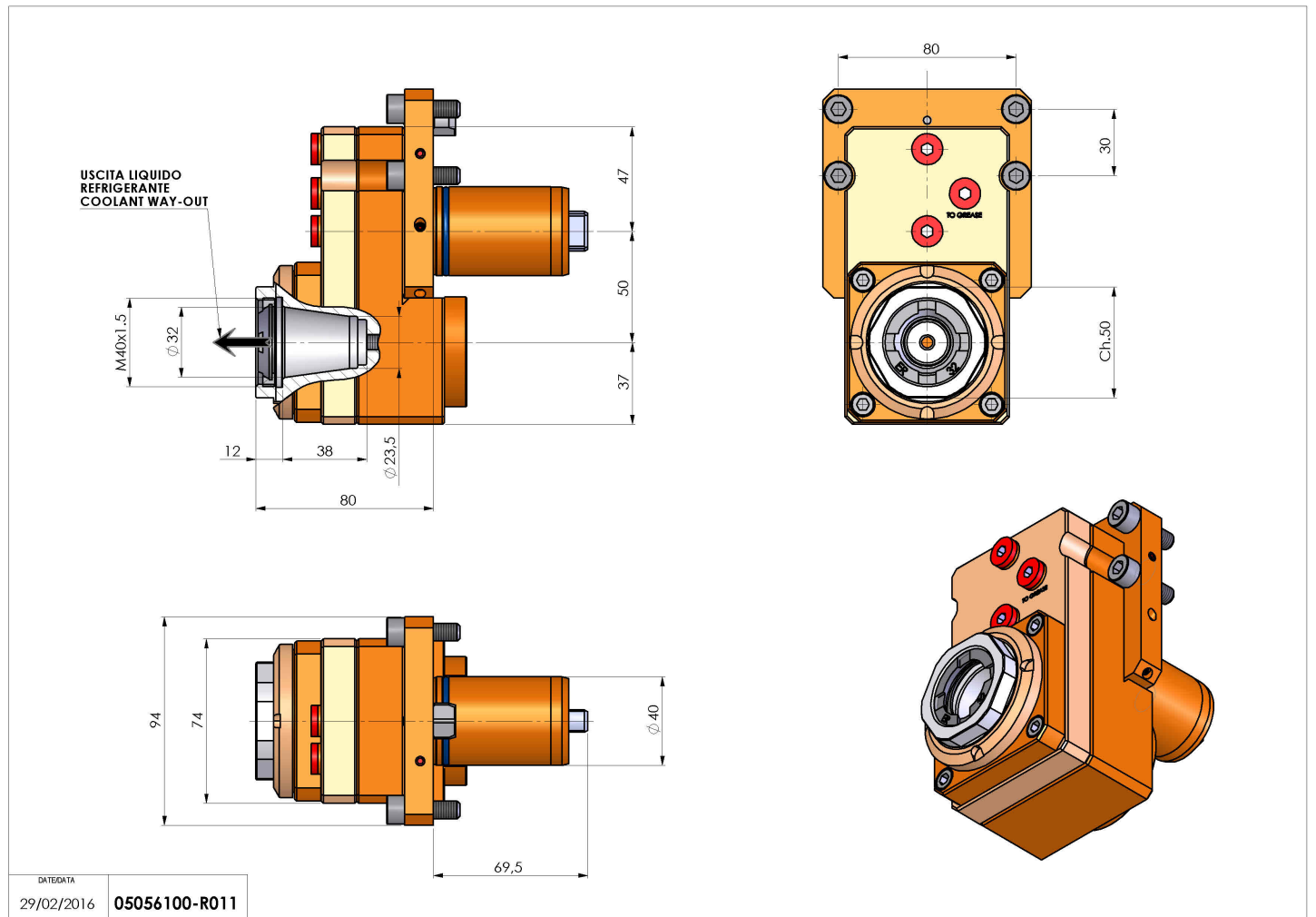


05056100 - LT-S D40 ER32F OFS50 RF H80 MZ

| | |
|------------------------------|--|
| Type | LT-S OFS Tool holder straight offset |
| Mounting | CYLINDRICAL SHANK 40 |
| Tool output | Collet nut ER 32 F - internal nut |
| Coolant | Internal coolant |
| Offset [mm] | 50 |
| Direction of rotation | r1 ↻ r2 ↻ |
| Max speed [rpm] | 6000 |
| Max torque [Nm] | 63 |
| Ratio | 1:1 |
| H [mm] | 80 |
| Accessories | N.A. |
| Notes | N.A. |
| Mounting tips | Not suitable for every application, please check |



Always check live tool dimensions on the turret



Subject to technical changes