

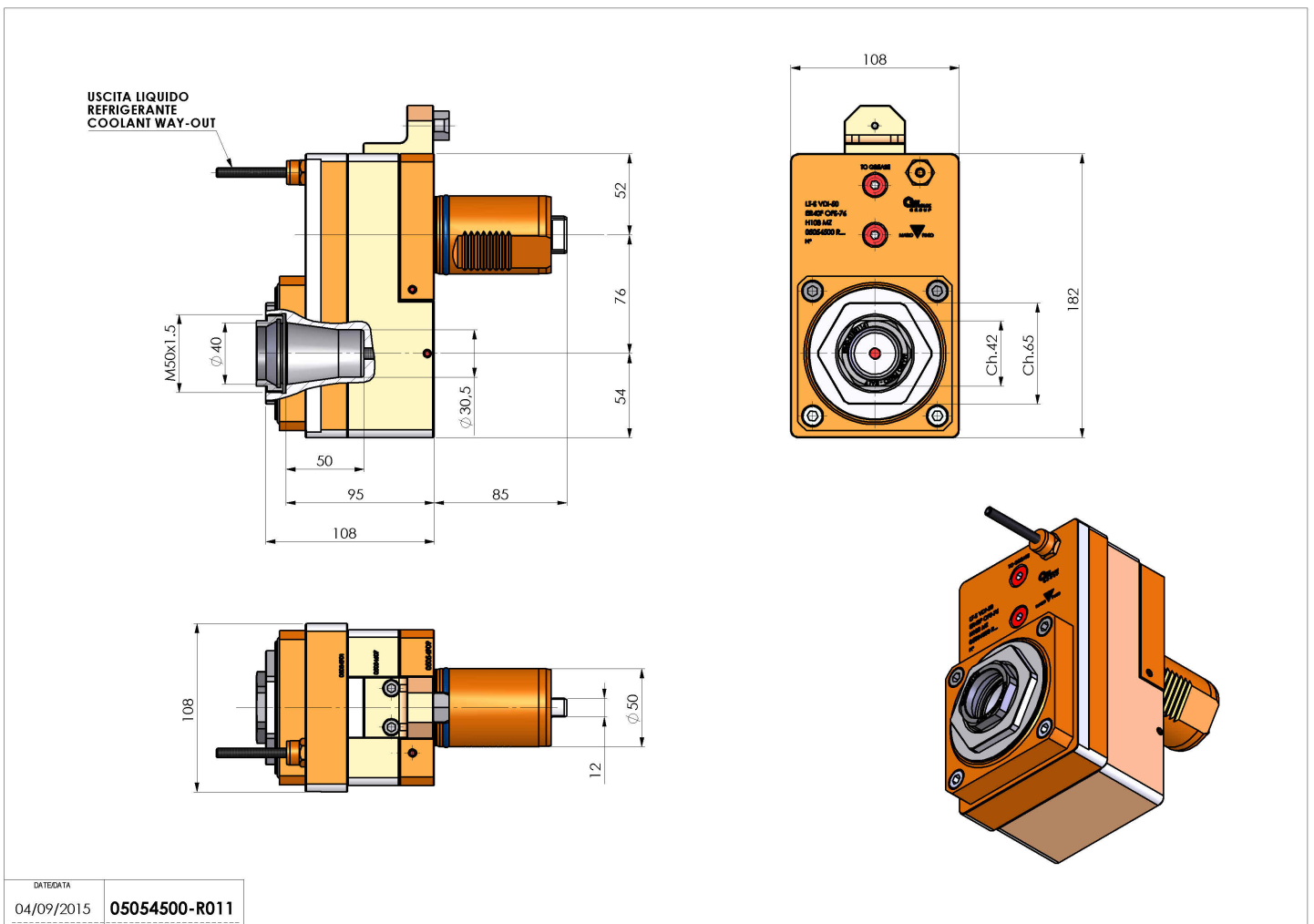
05054500 - LT-S VDI50 ER40F OFS76 H108MZ

Type	LT-S OFS Tool holder straight offset
Mounting	VDI 50
Tool output	Collet nut ER 40 F - internal nut
Coolant	External coolant
Offset [mm]	76
Direction of rotation	r1 r2
Max speed [rpm]	6000
Max torque [Nm]	120
Ratio	1:1
H [mm]	108
Accessories	N.A.
Notes	N.A.
Mounting tips	Not suitable for every application, please check



ATTENZIONE: VERIFICARE L'ORIENTAMENTO DELLA DENTATURA VDI

Always check live tool dimensions on the turret



DATE/DATE	04/09/2015	05054500-R011
-----------	------------	---------------

Subject to technical changes