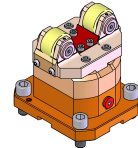
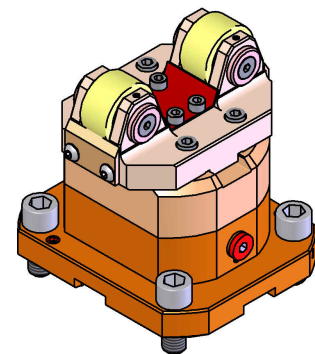
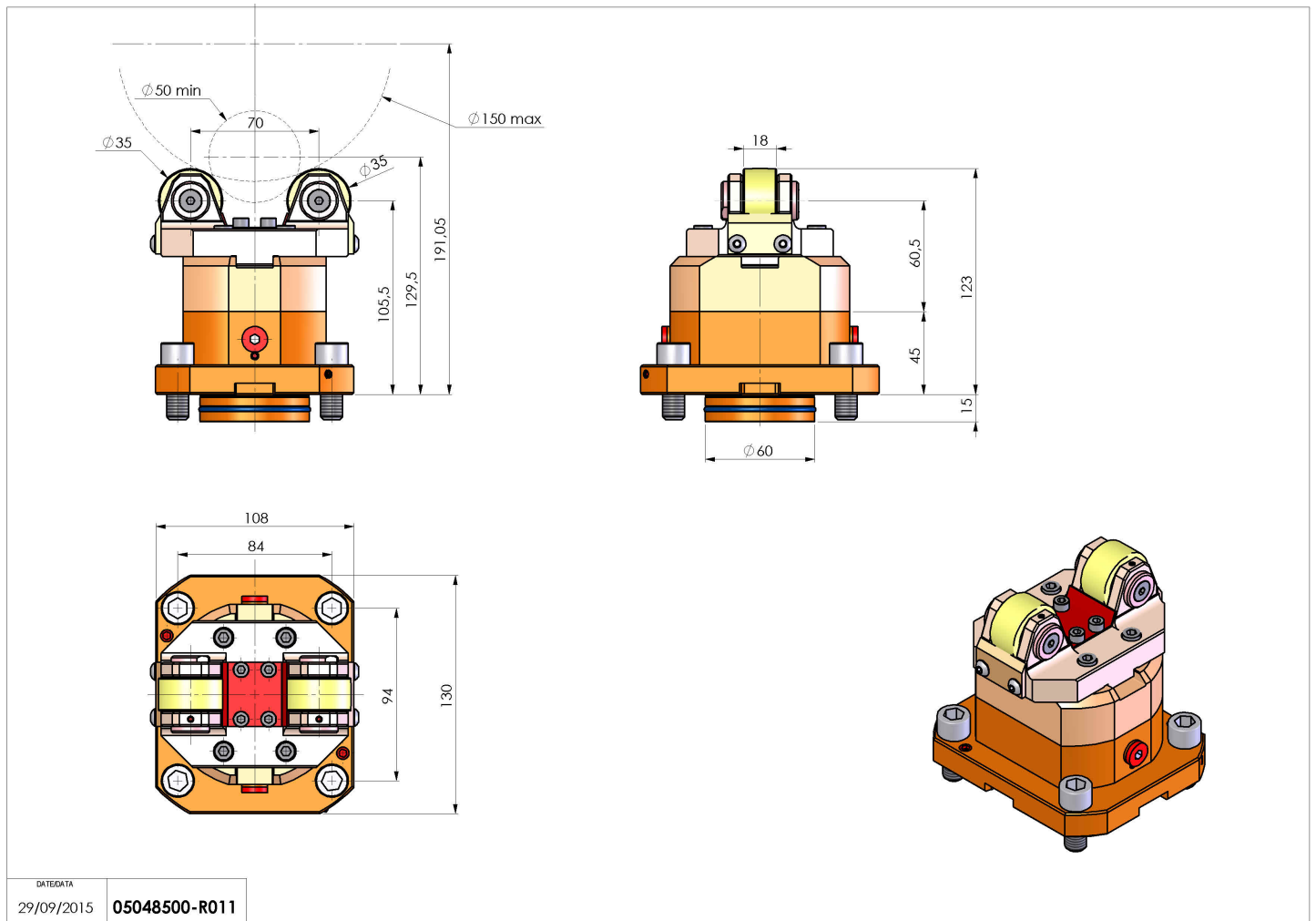


05048500 - SUPP ALB AX D50-150 D60 MS

Type	SHAFT SUPPORT Shaft support
Mounting	CYLINDRICAL SHANK 60
Tool output	Supporto albero Ø50-Ø150
Coolant	N.A.
H [mm]	105,5
Ø Min [mm]	50
Ø Max [mm]	150
Accessories	N.A.
Notes	N.A.
Mounting tips	Not suitable for every application, please check



Always check live tool dimensions on the turret



Subject to technical changes