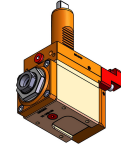


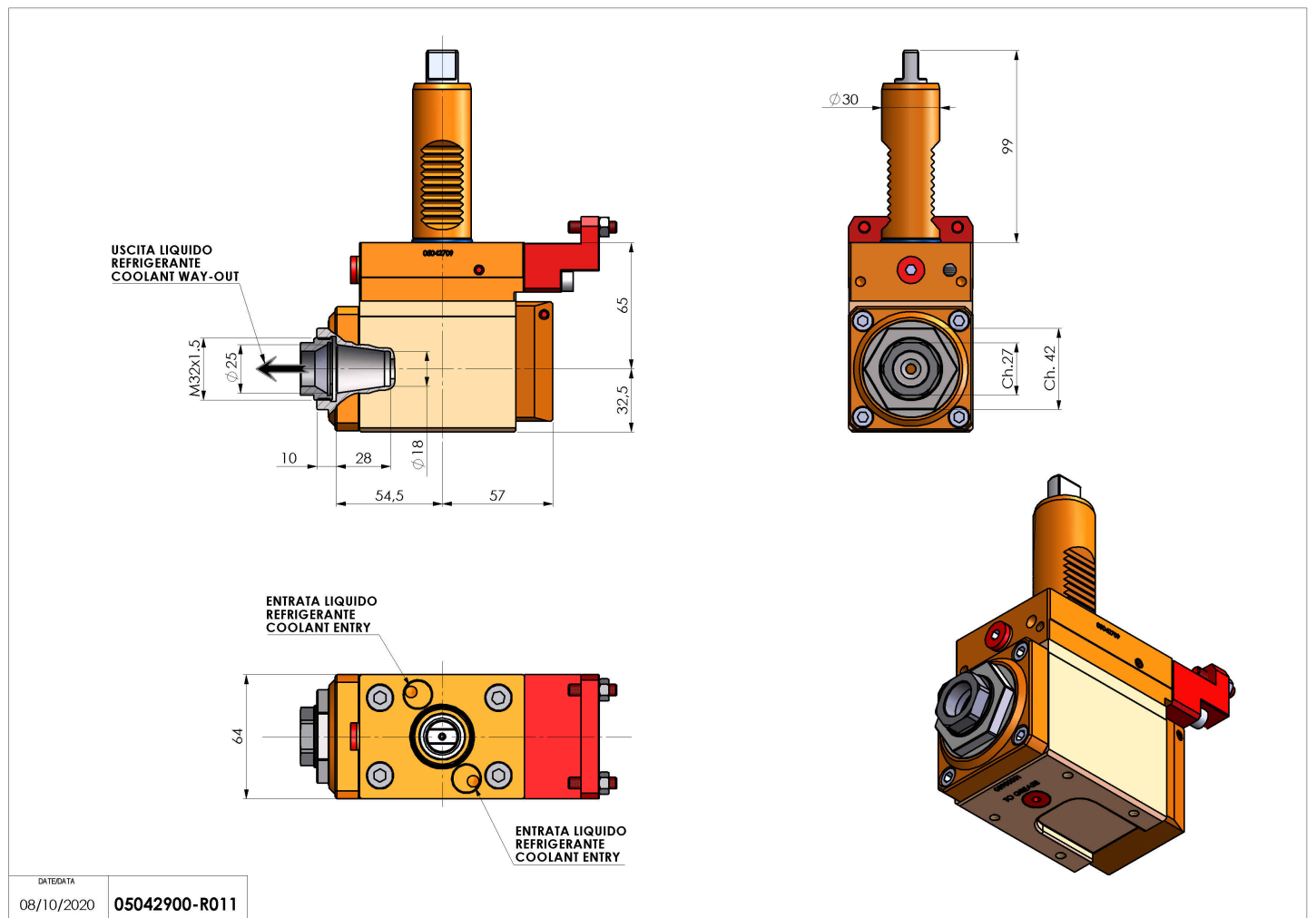
05042900 - LT-A VDI30 ER25F LR RF H65

| | |
|-----------------------|--|
| Type | LT-A Tool holder angle 90° |
| Mounting | VDI 30 |
| Tool output | Collet nut ER 25 F - internal nut |
| Coolant | Internal coolant |
| Direction of rotation | r1 ↻ r2 ↻ |
| Max speed [rpm] | 6000 |
| Max torque [Nm] | 40 |
| Ratio | 1:1 |
| H [mm] | 64 |
| H1 [mm] | 34 |
| Accessories | N.A. |
| Notes | N.A. |
| Mounting tips | Not suitable for every application, please check |



ATTENZIONE: VERIFICARE L'ORIENTAMENTO DELLA DENTATURA VDI

Always check live tool dimensions on the turret



| | |
|-----------|---------------|
| DATE/DATE | 08/10/2020 |
| | 05042900-R011 |

Subject to technical changes