

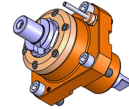
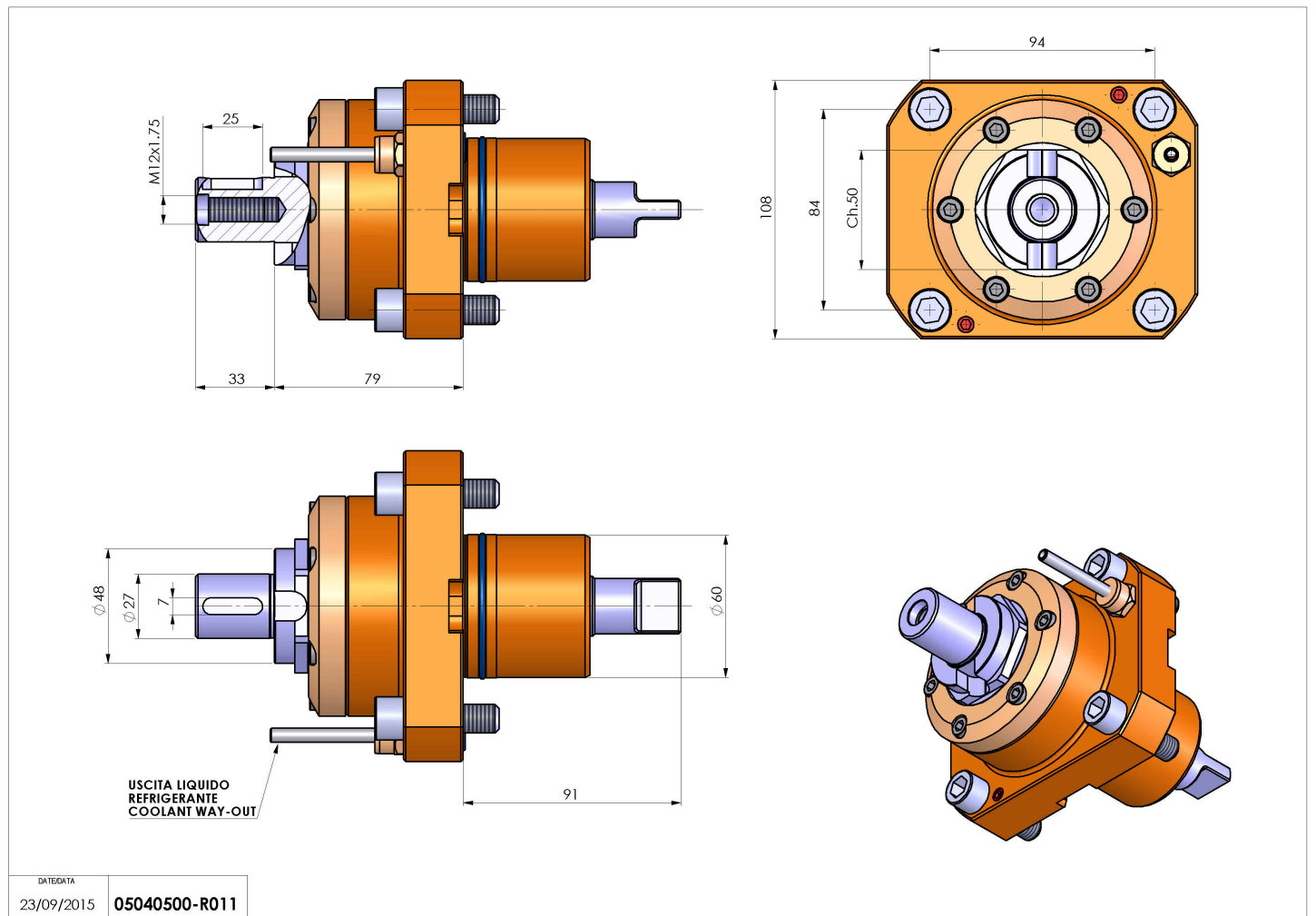


05040500 - LT-S D60 DIN138-27 HS H79

Type	LT-S Tool holder straight
Mounting	CYLINDRICAL SHANK 60
Tool output	Shell-Mill DIN138 27
Coolant	External coolant
Direction of rotation	r1  r2 
Max speed [rpm]	10000
Max torque [Nm]	63
Ratio	1:1
H [mm]	79
Accessories	
Notes	N.A.
Mounting tips	Not suitable for every application, please check



Always check live tool dimensions on the turret



DATE/DATE
23/09/2015 05040500-R011

Subject to technical changes