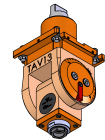
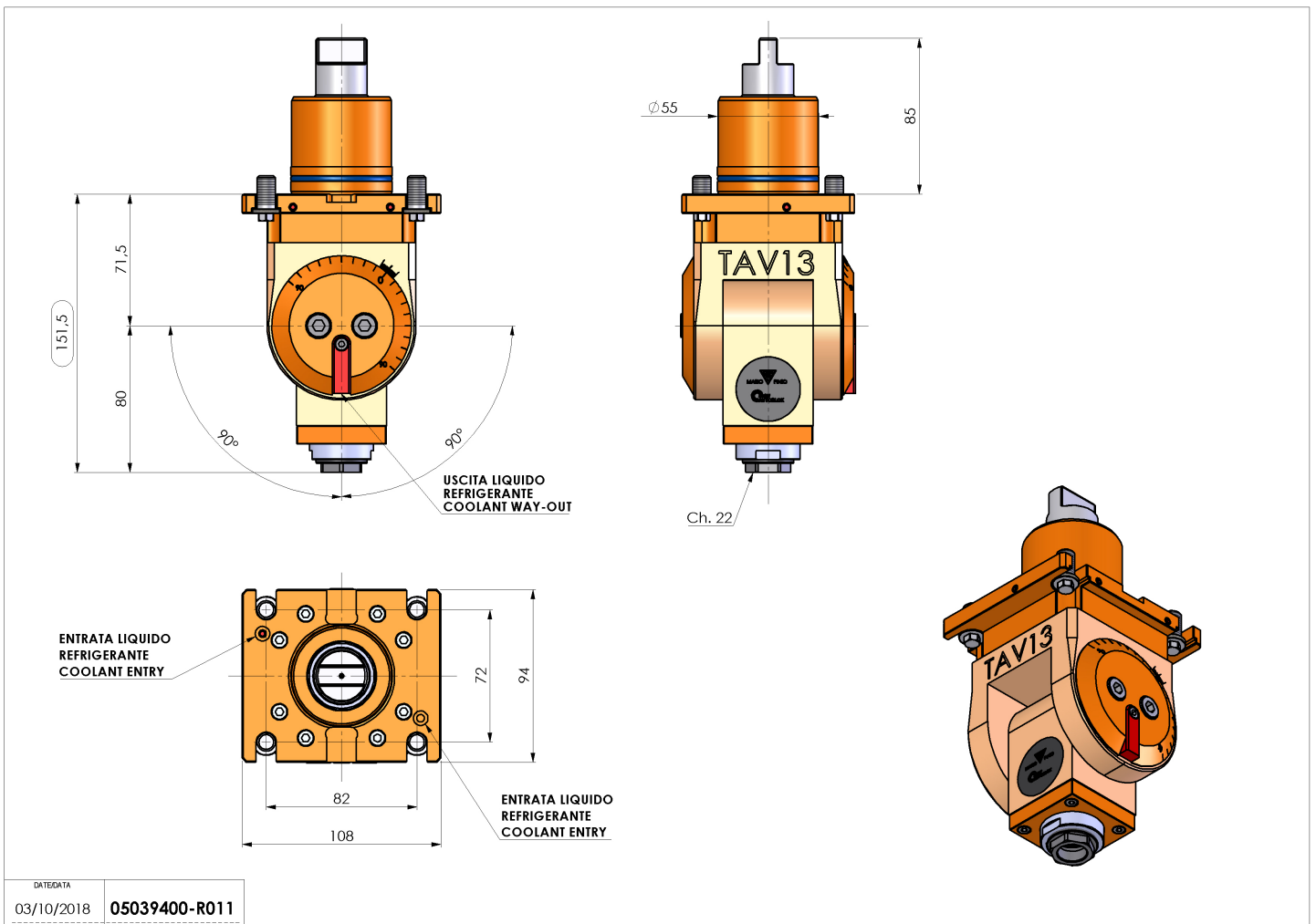


# 05039400 - LT-T D55 ER20F H72-152

<b>Type</b>	LT-T Tool holder tiltable
<b>Mounting</b>	CYLINDRICAL SHANK 55
<b>Tool output</b>	Collet nut ER 20 F - internal nut
<b>Coolant</b>	External coolant
<b>Direction of rotation</b>	r1 ↻ r2 ↻
<b>Max speed [rpm]</b>	6000
<b>Max torque [Nm]</b>	20
<b>Ratio</b>	1:1
<b>H [mm]</b>	72-152
<b>Accessories</b>	N.A.
<b>Notes</b>	N.A.
<b>Mounting tips</b>	Not suitable for every application, please check



Always check live tool dimensions on the turret



DATE/DATE	03/10/2018	05039400-R011
-----------	------------	---------------

Subject to technical changes