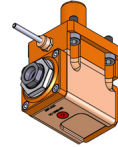
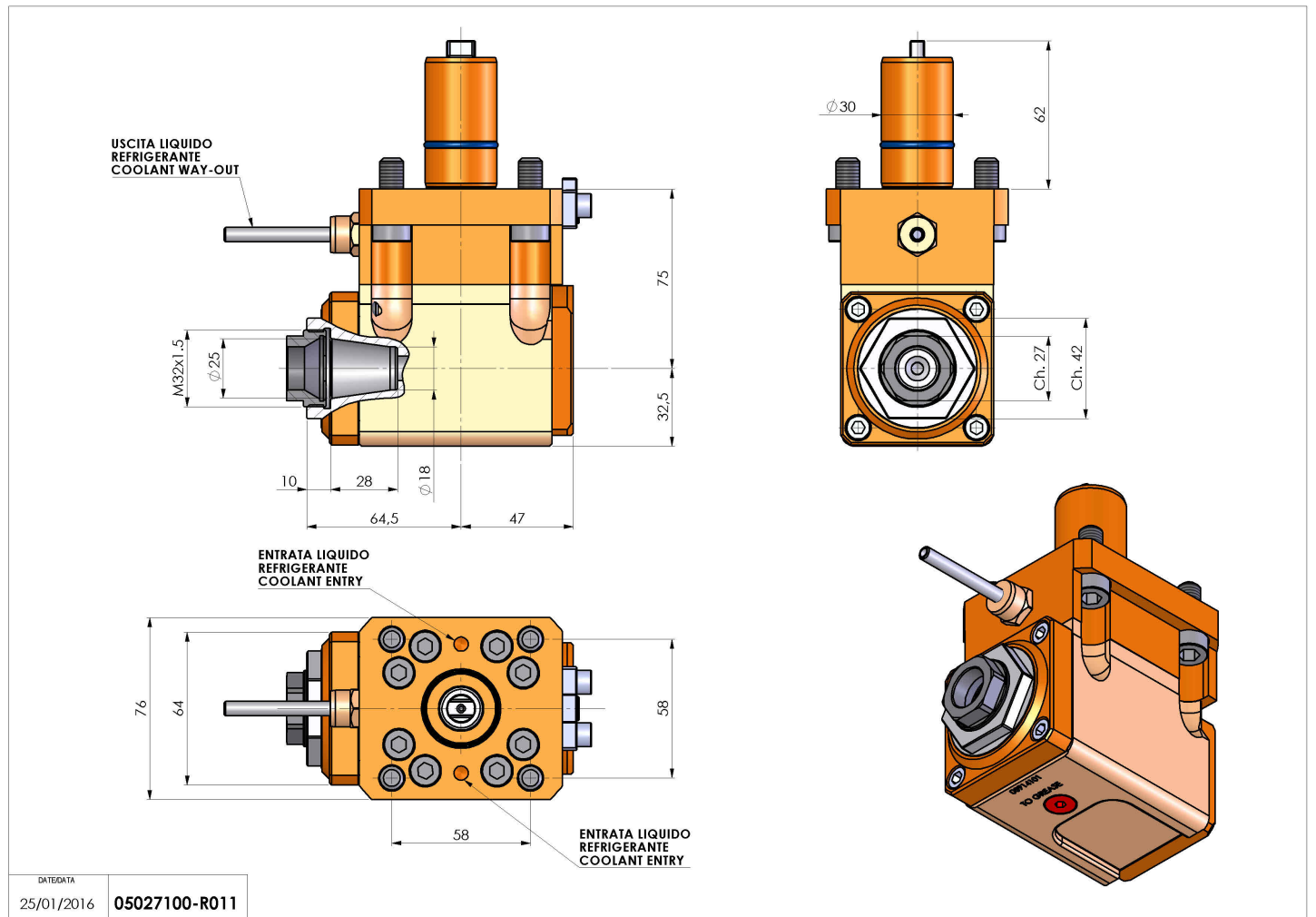


05027100 - LT-A D30 ER25F LR H75 TZ

Type	LT-A Tool holder angle 90°
Mounting	CYLINDRICAL SHANK 30
Tool output	Collet nut ER 25 F - internal nut
Coolant	External coolant
Direction of rotation	r1 ↻ r2 ↻
Max speed [rpm]	6000
Max torque [Nm]	30
Ratio	1:1
H [mm]	75
H1 [mm]	32,5
Accessories	N.A.
Notes	N.A.
Mounting tips	Not suitable for every application, please check



Always check live tool dimensions on the turret



DATE/DATE
25/01/2016 05027100-R011

Subject to technical changes