

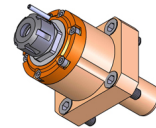
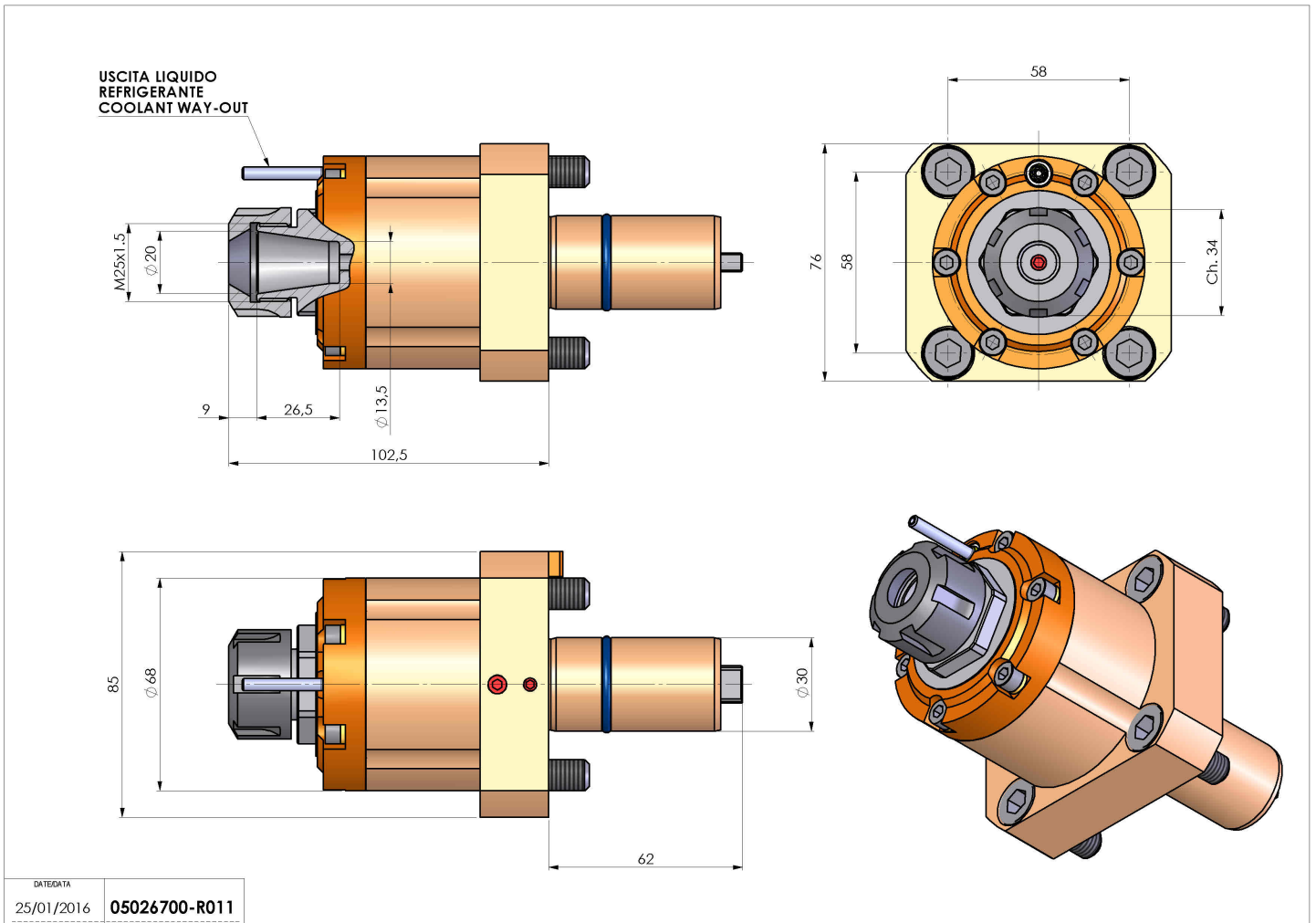


05026700 - LT-S D30 ER20 H103 TZ

Type	LT-S Tool holder straight
Mounting	CYLINDRICAL SHANK 30
Tool output	Collet nut ER 20
Coolant	External coolant
Direction of rotation	r1  r2 
Max speed [rpm]	6000
Max torque [Nm]	40
Ratio	1:1
H [mm]	103
Accessories	
Notes	N.A.
Mounting tips	Not suitable for every application, please check



Always check live tool dimensions on the turret



Subject to technical changes