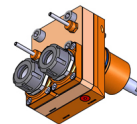
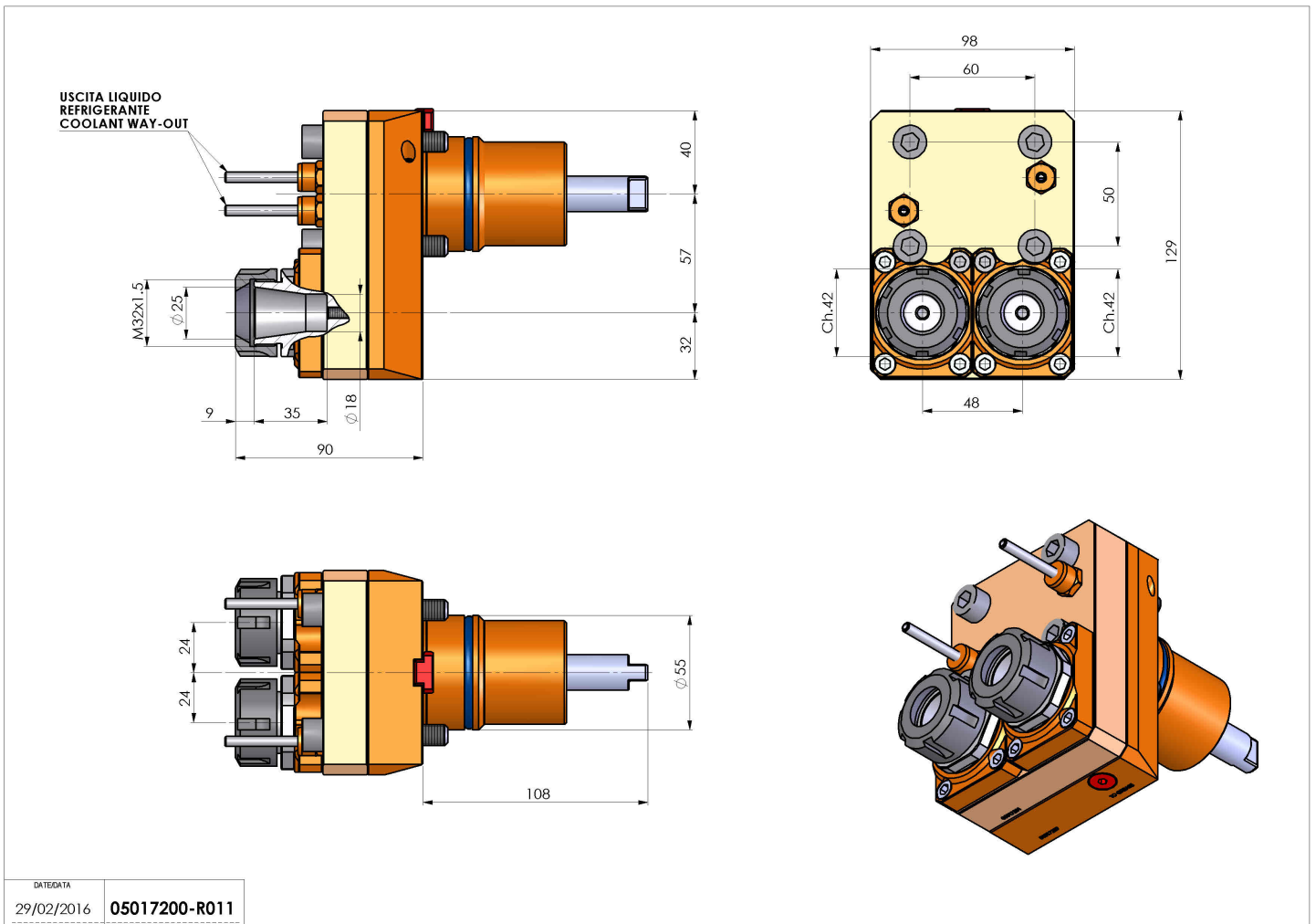


05017200 - LT-S2 D55 ER25 OFS-57 H90 NK

Type	LT-S2 OFS Tool holder double straight offset
Mounting	CYLINDRICAL SHANK 55
Tool output	Collet nut ER 25
Coolant	External coolant
Offset [mm]	57
Direction of rotation	r1 ↻ r2 ↻
Max speed [rpm]	6000
Max torque [Nm]	40
Ratio	1:1
H [mm]	90
Accessories	N.A.
Notes	N.A.
Mounting tips	Not suitable for every application, please check



Always check live tool dimensions on the turret



DATE/DATA	05017200-R011
29/02/2016	

Subject to technical changes