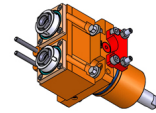
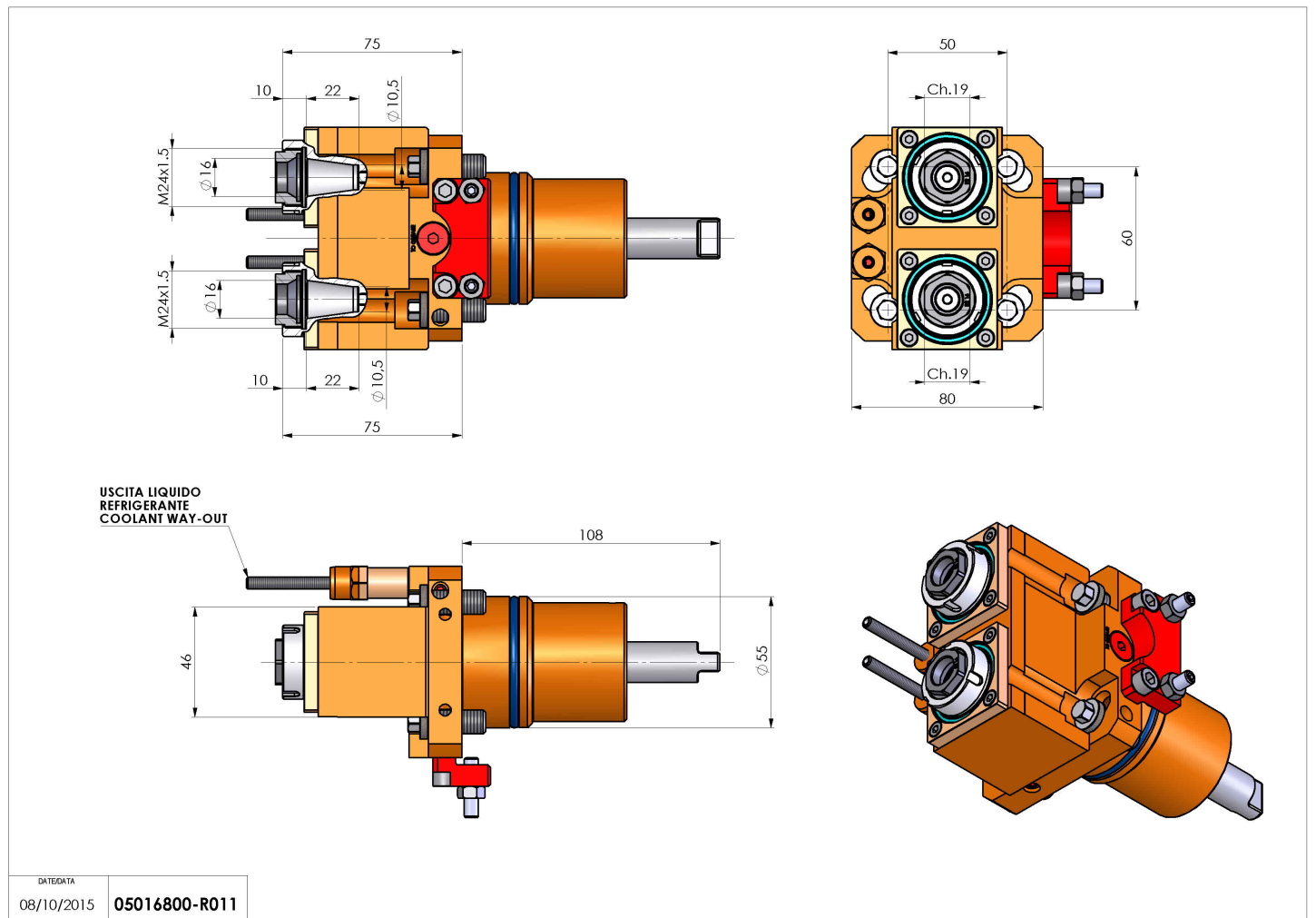


05016800 - LT-S2 D55 ER16F-16F 1:1 H75 NK

Type	LT-S2 Tool holder double straight
Mounting	CYLINDRICAL SHANK 55
Tool output	Collet nut ER 16 F - internal nut
Coolant	External coolant
Direction of rotation	r1 ↻ r2 ↻ r3 ↻
Max speed [rpm]	6000
Max torque [Nm]	15
Ratio	1:1
H [mm]	75
Accessories	N.A.
Notes	N.A.
Mounting tips	Not suitable for every application, please check



Always check live tool dimensions on the turret



Subject to technical changes