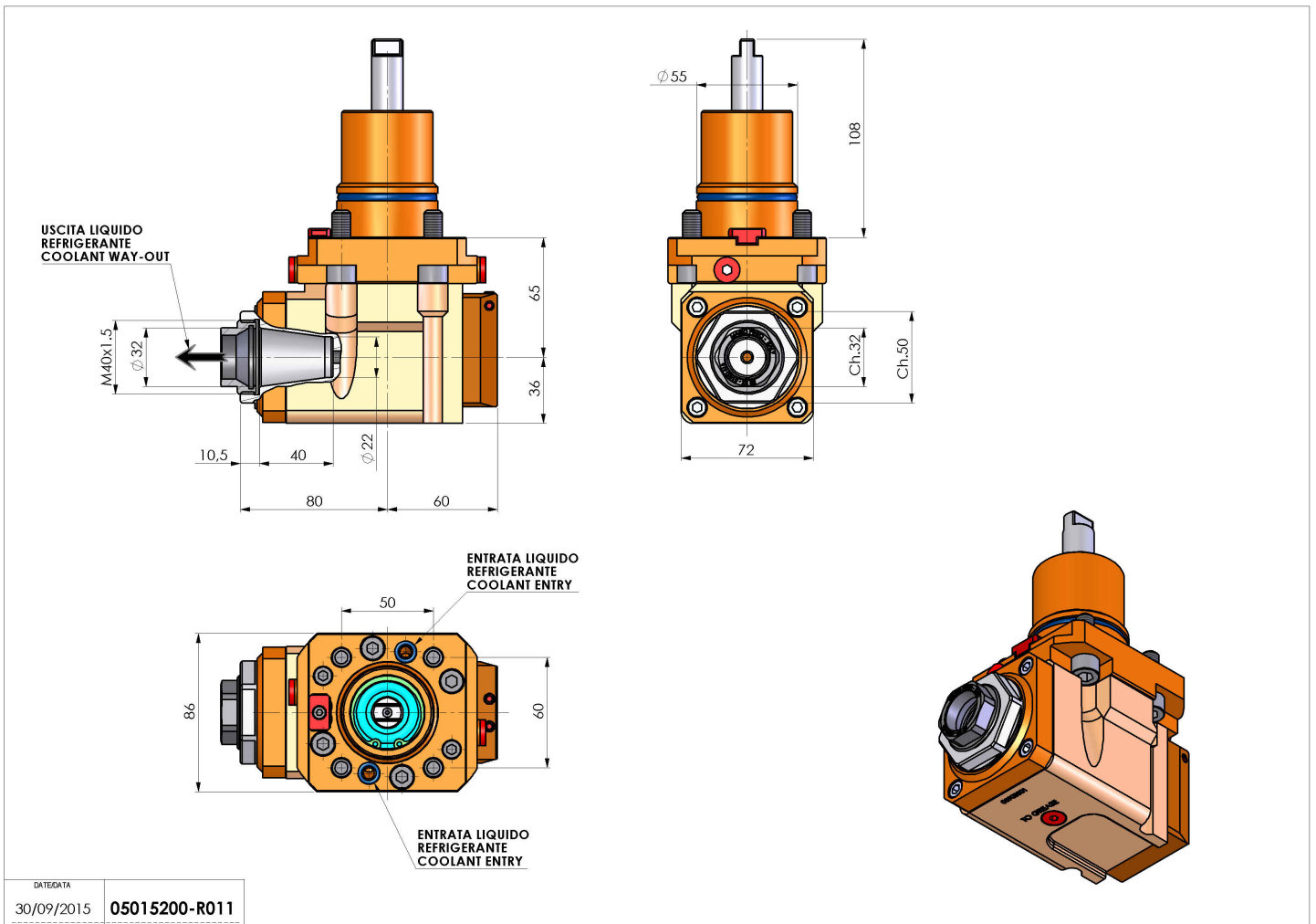


# 05015200 - LT-A D55 ER32F RF H65 NK

|                              |                                                  |
|------------------------------|--------------------------------------------------|
| <b>Type</b>                  | LT-A<br>Tool holder angle 90°                    |
| <b>Mounting</b>              | CYLINDRICAL SHANK 55                             |
| <b>Tool output</b>           | Collet nut ER 32 F - internal nut                |
| <b>Coolant</b>               | Internal coolant                                 |
| <b>Direction of rotation</b> | r1 ↻ r2 ↻                                        |
| <b>Max speed [rpm]</b>       | 6000                                             |
| <b>Max torque [Nm]</b>       | 63                                               |
| <b>Ratio</b>                 | 1:1                                              |
| <b>H [mm]</b>                | 65                                               |
| <b>H1 [mm]</b>               | 36                                               |
| <b>Accessories</b>           | N.A.                                             |
| <b>Notes</b>                 | N.A.                                             |
| <b>Mounting tips</b>         | Not suitable for every application, please check |



Always check live tool dimensions on the turret



|            |               |
|------------|---------------|
| DATE/DATE  | 05015200-R011 |
| 30/09/2015 |               |

Subject to technical changes