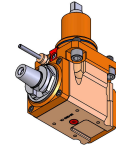
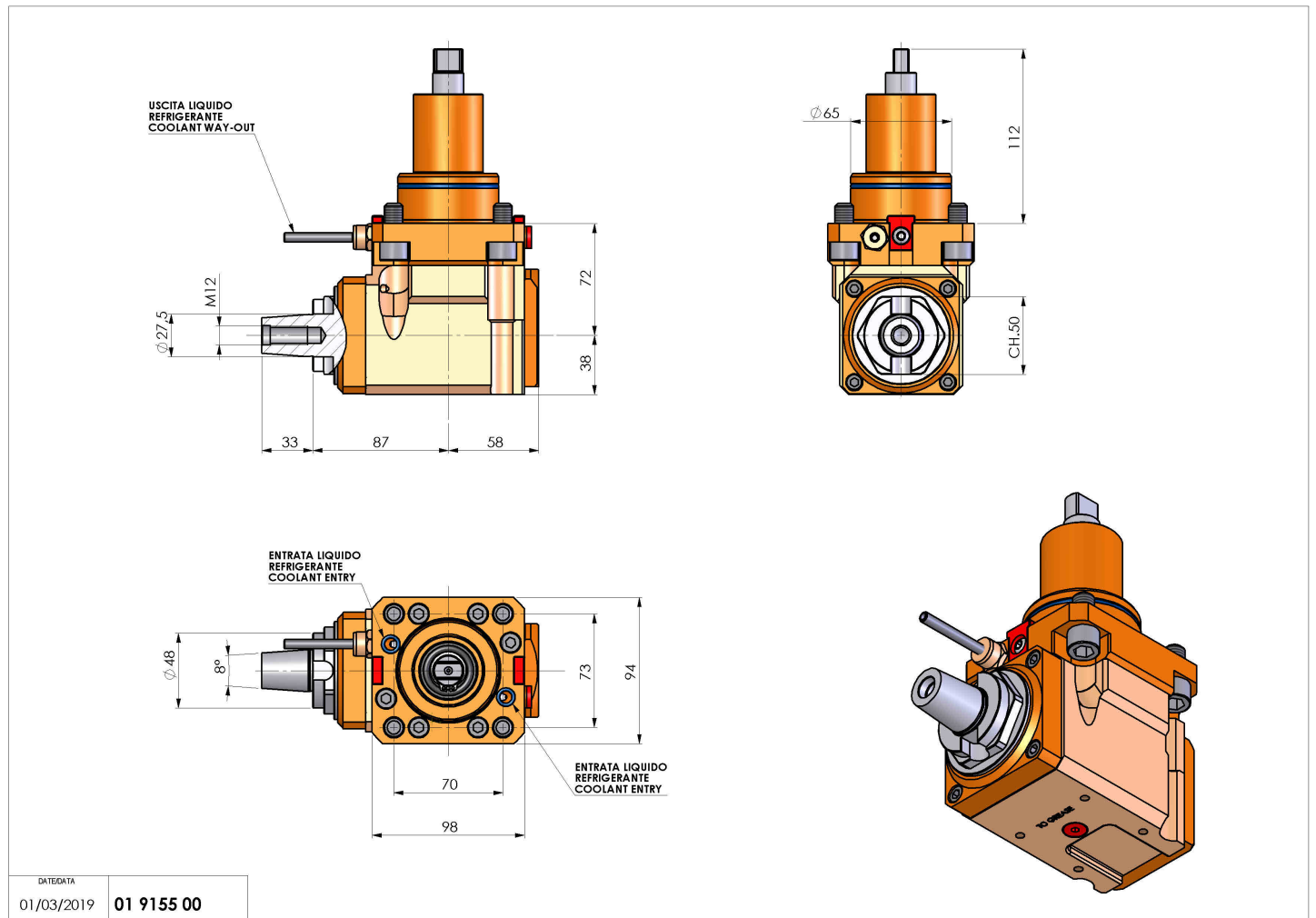


01915500 - LT-A BMT65 D27 CONICO 4 H72

Type	LT SPECIALE Custom tool holder
Mounting	BMT 65
Tool output	D27 CONIC 4°
Coolant	External coolant
Direction of rotation	r1 ↻ r2 ↻
Max speed [rpm]	6000
Max torque [Nm]	63
Ratio	1:1
H [mm]	72
H1 [mm]	38
Accessories	N.A.
Notes	N.A.
Mounting tips	Not suitable for every application, please check



Always check live tool dimensions on the turret



DATE/DATE
01/03/2019 01 9155 00

Subject to technical changes