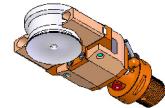
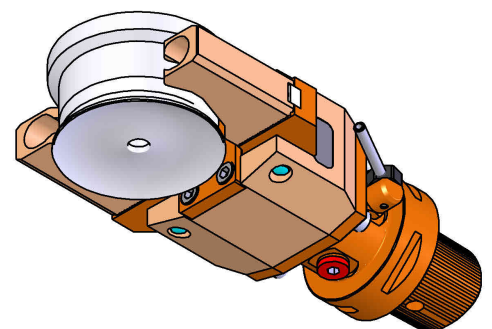
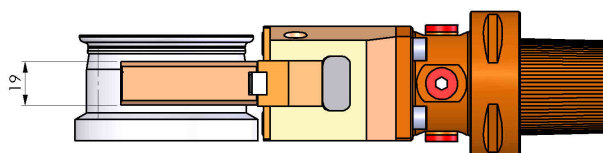
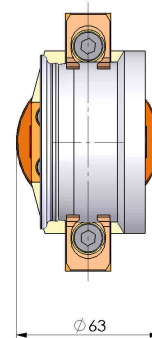
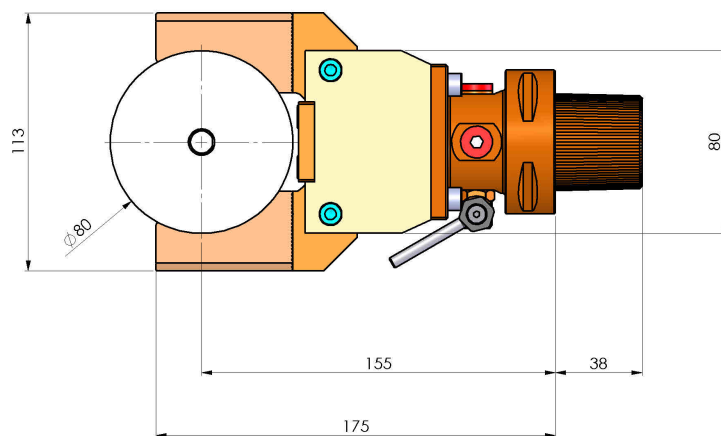


01908700 - ATR MANIPOLATORE CAPTO-C6 MZ

| | |
|----------------------|--|
| Type | ATR MAN Handling hand |
| Mounting | N.A. |
| Tool output | Not-defined model |
| Coolant | N.A. |
| H [mm] | 155 |
| Accessories | N.A. |
| Notes | N.A. |
| Mounting tips | Not suitable for every application, please check |



Always check live tool dimensions on the turret



| | |
|------------|--------------|
| DATE/DATE | |
| 24/07/2017 | A-01 9087 00 |

Subject to technical changes