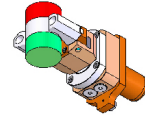


# 01906100 - ATR VDI50 RIB-180 MZ

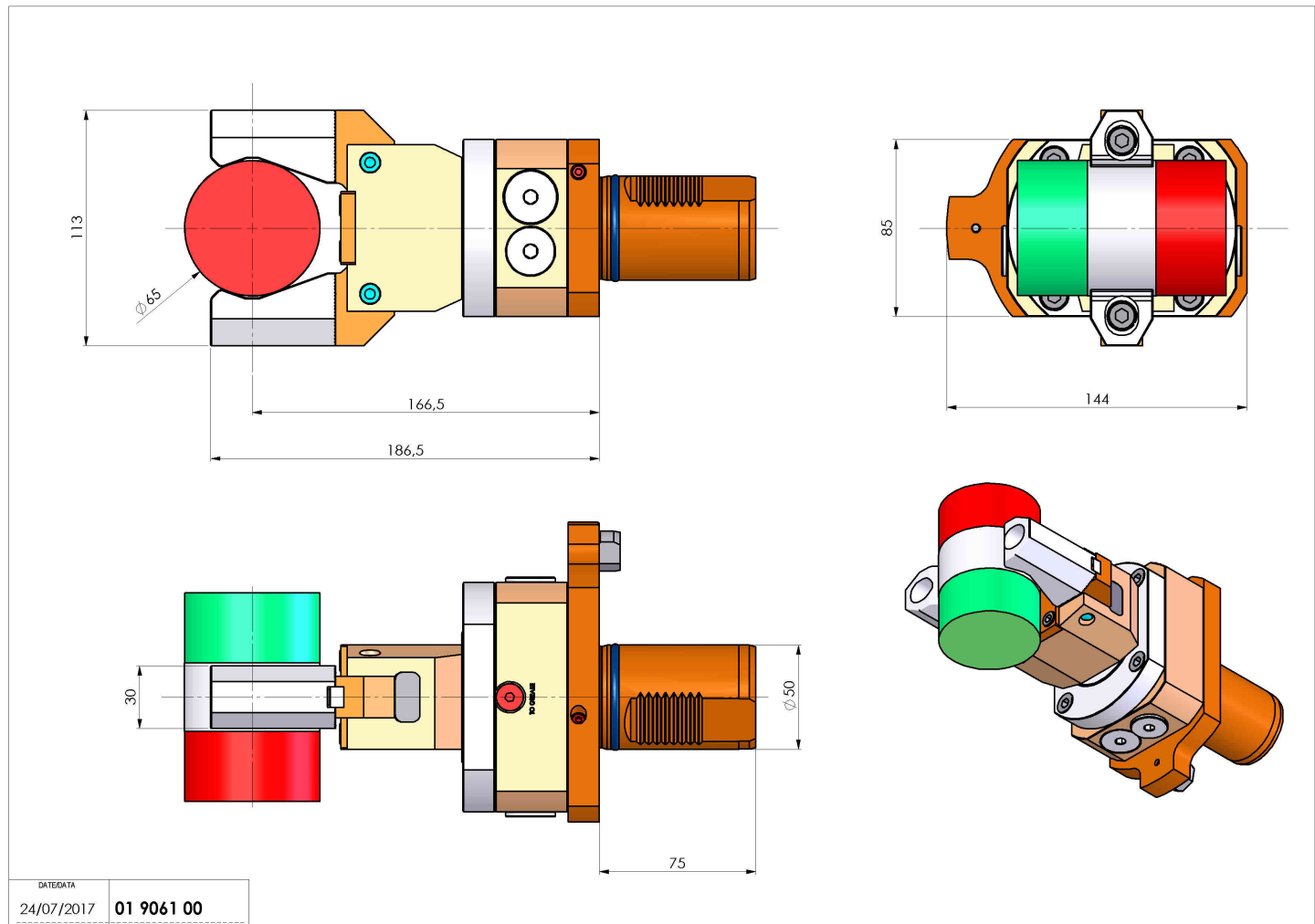
Type	ATR MAN Handling hand
Mounting	VDI 50
Tool output	Not-defined model
Coolant	N.A.
H [mm]	166,5



Accessories	N.A.
Notes	N.A.
Mounting tips	Not suitable for every application, please check

**ATTENZIONE: VERIFICARE L'ORIENTAMENTO DELLA DENTATURA VDI**

Always check live tool dimensions on the turret



Subject to technical changes